



大圣纵横®

DASHENG ZONGHENG

TOP QUALITY BRAND

PROFESSIONAL AIR CONDITIONING, REFRIGERATION HVAC/R SERVICE TOOLS AND EQUIPMENT

专业制造：制冷和空调安装、维修专用工具及设备



DASHENG ZONGHENG 大圣纵横



OVER 25 YEARS OF DEDICATED SERVICE
1990 - 2015



ISO9001:2000



DSZH was established in 1990. We're specialized in refrigeration and commercial, household, auto air-conditioner tools design, production and sale. With more than 24 years experience, DSZH has become 'the most popular brand' in the World refrigeration tools field and products are sold to more than 63 countries and districts overseas. As one of the biggest suppliers of refrigeration tools in the world, we also provide OEM service to many top branded companies.

Jinhua Weike Industrial & Trading Co., Ltd locates in Lingxiashu industrial zone, with floor area 35000 sq.m., area of structure 45000 sq.m.. The production has been increased greatly to satisfy the fast growing market demands.

Our successes are attributed to be the basic philosophy of base on quality, customers highest and technological innovation. We're the manufacturer, certificated by CE ISO9001:2000 with many patents. Product quality meets EURO, U.S.A markets requirements.

We're proud of brand DSZH . It has become the symbol of high quality and high cost performance. Meanwhile we are glad to serve our customers wholeheartedly. Thanks for choosing our products!





大圣纵横[®]
DASHENG ZONGHENG

始于1990年，一直潜心于制冷、商用、家用、汽车空调专用工具的设计，生产及销售。历经二十余年的企业经营，**大圣纵横[®]**成为了世界上制冷工具行业的最受市场欢迎品牌，产品远销全球63个国家和地区，为许多国外知名品牌提供OEM服务。是全球最大的制冷工具供应商之一。

金华威科工贸有限公司 座落于金华市岭下朱工业区，占地面积35000余平方米，厂房面积45000余平方米。

质量为本，顾客至上，科技创新是公司不变的宗旨，目前已通过 CE ISO9001:2000 等认证，并取得多项专利。

大圣纵横[®]是我们的骄傲，它已成为高品质，高性价比的象征符号，同时我们竭诚为客户提供最优质的服务，感谢您选择我们的产品。





大圣纵横®
DASHENG ZONGHENG

[Http://www.cnzongheng.com](http://www.cnzongheng.com)



**TOP
QUALITY**



 **大圣纵横®**
DASHENG ZONGHENG

MANUFACTURE
Of HVAC/R Service Tools & Equipments





CONTENTS 目录



	Page 1-2	Tube Cutter	管子割刀
	Page 3-7	Eccentric Cone Flaring Tool Cordless Flaring Tool	偏心扩管器 电动扩管器
	Page 8-10	Flaring & Swaging Tool Hydraulic Flaring & Swaging Tool	胀管扩口器 液压胀管扩口器
	Page 11-14	Compressing Tool Tube Expander Tool	软管压管器 胀管器
	Page 15 - 17	Tube Bender Tube Bender Kit	弯管器 弯管器套装
	Page 18 - 20	Vacuum Meter Leak Detector	真空计 检漏仪
	Page 20 - 25	Charging Scale Digital Manifolds	加注秤 数显表
	Page 26-31	Charging Hose Manifolds Gauge	加液管 冷媒表组
	Page 32-34	Charging Station Vacuum Pumps	加液站 真空泵
	Page 35-37	Recovery Unit Infrared Thermometer	回收机 测温仪
	Page 38-40	Gas Torch & Brass Adapters Quick Couplers	焊枪 & 铜配件 快带接头
	Page 41-42	Other Tools	其它工具

DSZH® Roller Type Tube Cutter 轴承式割刀

- ★ Ball bearings make the difference!
- ★ Great cuts with the greatest of ease!
- ★ High-quality radial ball bearings enable DSZH® tube cutters to cut with less effort than any previous models.
- ★ Give them a try and see just how easy it is!
- ★ Alloy steel they can even cut thin wall stainless steel pipes.

- ★ 合金钢刀片：锋利耐用
- ★ 滚珠轴承：灵活精准
- ★ 铝合金刀体：轻便省力



WK-319



WK-428



WK-532



WK-650



WK-670



滚珠轴承刀片



BEARING BLADE

轴承滚轮



BEARING ROLLER

轻松割管同一圈内切割



EASY CUT IN A CIRCLE

Item No. (型号)	Description (品名规格)	Material (材质)
WK-319	ROLLER TYPE TUBE CUTTER (轴承式割刀)	For $\Phi 1/8"$ to $3/4"$ (3-19mm)
WK-428		For $\Phi 3/16"$ to $1-1/8"$ (4-28mm)
WK-532		For $\Phi 3/16"$ to $1-1/4"$ (5-32mm)
WK-650		For $\Phi 1/4"$ to $2"$ (6-50mm)
WK-670		For $\Phi 1/4"$ to $2-3/4"$ (6-70mm)
WK-319B/428B	Cutting Blade (割刀刀片)	For WK-319B/428B
WK-532/650/670B		For WK-532B/650B/670B

DSZH® Tube Cutter 管子割刀

For 10-66mm (3/8" to 2-5/8") O.D. tubing.

- ★ Ratchet feed mechanism speeds up cutting operation.
- ★ Extra wide rollers with flare cut-off groove stabilize tubing.
- ★ Spare cutting wheel included under handle cap.
- ★ light weight aluminum alloy body.

1. 棘齿进给机械结构提高切管操作速度。
2. 带槽超宽滚轮更好固定管子并切掉扩口。
3. 手柄盖下备有备用刀片。
4. 铝合金刀身更轻便。



CT-206



CT-127

For Φ 1/8" to 5/8" (3-16mm)



CT-128

For Φ 1/8" to 7/8" (3-22mm)



CT-174

For Φ 1/8" to 1-1/8" (3-28mm)



CT-G

For Φ 1/8" to 1-1/8" (3-28mm)



CT-274/312

For Φ 1/8" to 1-1/8" (3-28mm)
For Φ 1/4" to 1-5/8" (7-42mm)



CT-105 / 107

For Φ 1/8" to 1-3/8" (3-35mm)
For Φ 1/4" to 2" (5-50mm)



45° Eccentric Cone Type Flaring Tools (45° 偏心扩管器)

工艺精湛

EXQUISITE WORKMANSHIP

扩口精准

ACCURATE FLARING



WK-806A



WK-806A



Ball position, simple and convenient operation.
 钢珠定位, 操作简单, 方便



Precision flared, no leakage connect.
 精准扩孔, 接管不漏气



Double ring bars, permanent leveling, never malposition.
 双环方钢夹板, 永久平整, 永不错位



Arc flame, ergonomic design, high-end beauty
 圆弧龙门架, 人体工程学设计, 高端、美观

	Item No. (型号)	Description (品名规格)
	WK-806A(M)	For inch: 1/4", 5/16", 3/8", 1/2", 5/8" & 3/4" O.D. Tubing individual packed in color box. (单只彩盒包装) For metric: 6mm, 8mm, 10mm, 12mm, 16mm & 19mm O.D. Tubing individual packed in color box. (单只彩盒包装)
	WK-808A(M)	For inch: 3/16", 1/4", 5/16", 3/8", 1/2", 5/8" & 3/4" O.D. Tubing individual packed in color box. (单只彩盒包装) For metric: 5mm, 6mm, 8mm, 10mm, 12mm, 16mm & 19mm O.D. Tubing individual packed in color box. (单只彩盒包装)
	WK-809AM	For inch and metric: 6mm, 1/4", 5/16" (8mm), 3/8", 10mm, 12mm, 1/2", 5/8" (16mm) & 3/4" (19mm) O.D. Tubing individual packed in color box. (单只彩盒包装)
	WK-806AM-L	WK-806+CT-207 1/4", 5/16", 3/8", 1/2", 5/8" & 3/4" O.D. Tubing (6mm, 8mm, 10mm, 12mm, 16mm & 19mm O.D. Tubing) packed in hand carrying plastic case. (吹塑手提箱包装)
	WK-808AM-L	WK-808+CT-207 3/16", 1/4", 5/16", 3/8", 1/2", 5/8" & 3/4" O.D. Tubing (5mm, 6mm, 8mm, 10mm, 12mm, 16mm & 19mm O.D. Tubing) packed in hand carrying plastic case. (吹塑手提箱包装)
	WK-806FT-L	WK-806+WK-532+CT-207 1/4", 5/16", 3/8", 1/2", 5/8", 3/4" & 6mm, 8mm, 10mm, 12mm, 16mm, 19mm O.D. Tubing Packed in hand carrying plastic case. (吹塑手提箱包装)
	WK-808FT-L	WK-808+WK-532+CT-207 3/16", 1/4", 5/16", 3/8", 1/2", 5/8", 3/4" & 5mm, 6mm, 8mm, 10mm, 12mm, 16mm, 19mm O.D. Tubing Packed in hand carrying plastic case. (吹塑手提箱包装)

45° Ratchet Eccentric Cone Type Flaring Tool (45° 棘轮式偏心扩管器)



工艺精湛

EXQUISITE WORKMANSHIP

扩口精准

ACCURATE FLARING

专利产品
PATENTED

WK-R806A



WK-R806A



Ball position, simple and convenient operation.
钢球定位, 操作简单, 方便



Precision flared, no leakage connect.
精准扩孔, 接管不漏气



Double ring bars, permanent leveling, never malposition.
双环方钢夹板, 永久平整, 永不错位



Arc flame, ergonomic design, high-end beauty
圆弧龙门架, 人体工程学设计, 高端、美观



Ratchet fast forward, portable, suitable to use in narrow space
棘轮快速进给, 轻便, 适合在狭小空间内使用

	Item No. (型号)	Description (品名规格)
	WK-R806A(M)	For inch: 1/4", 5/16", 3/8", 1/2", 5/8" & 3/4" O.D. Tubing individual packed in color box. (单只彩盒包装) For metric: 6mm, 8mm, 10mm, 12mm, 16mm & 19mm O.D. Tubing individual packed in color box. (单只彩盒包装)
	WK-R808A(M)	For inch: 3/16", 1/4", 5/16", 3/8", 1/2", 5/8" & 3/4" O.D. Tubing individual packed in color box. (单只彩盒包装) For metric: 5mm, 6mm, 8mm, 10mm, 12mm, 16mm & 19mm O.D. Tubing individual packed in color box. (单只彩盒包装)
	WK-R806FT-L	WK-R806A + WK-532 + CT-207 For inch: 1/4", 5/16", 3/8", 1/2", 5/8", 3/4" & 6mm, 8mm, 10mm, 12mm, 16mm, 19mm O.D. Tubing Packed in hand carrying plastic case. (吹塑手提箱包装)
	WK-R808FT-L	WK-R808A + WK-532 + CT-207 For inch: 3/16", 1/4", 5/16", 3/8", 1/2", 5/8", 3/4" & 5mm, 6mm, 8mm, 10mm, 12mm, 16mm, 19mm O.D. Tubing Packed in hand carrying plastic case. (吹塑手提箱包装)



45° Eccentric Cone Type Flaring Tools (45° 一体式偏心扩孔器)

超级精准

SUPER ACCURACY

快捷方便

FAST & CONVENIENT



专利产品
PATENTED

WK-519FT



夹管模(支持定制)

Liners (Customizable)



限位挡片

Stopper Plate



统一扩口尺寸

Uniform Flares In Size



轻松夹管

Easy Clamp

	Item No. (型号)	Description (品名规格)	
	WK-519FT-L	WK-519FT + WK-532 + CT-207	For inch & metric: 1/4", 6mm, 5/16"(8mm), 3/8", 10mm, 1/2", 12mm, 5/8"(16mm), 3/4"(19mm), O.D. Tubing Packed in hand carrying plastic case. (吹塑手提箱包装)

Electric Cordless Flaring Tool (充电式电动扩孔器套装)



特快精准

SUPER FAST & ACCURATE

经久耐用

SUPER DURABLE


专利产品
PATENTED

WK-E806

Item No. (型号)	Description (品名规格)
 WK-E806AM-L	WK-E806AM+WK-532 +CT-207+Spare battery+Charger(9.6V) +2 Steel bar For inch:1/4",5/16",3/8",1/2",5/8" & 3/4" O.D.Tubing (6mm,8mm,10mm,12mm,16mm & 19mm O.D.Tubing) Packed in hand carrying plastic case. (吹塑手提箱包装)
 WK-E800AM-L	WK-E800AM+WK-532 +CT-207+2 Clamp heads+Charger(9.6V) +7 Steel bar For inch and metric:6mm,1/4",5/16"(8mm), 3/8",10mm,12mm, 1/2", 5/8" (16mm) & 3/4"(19mm) O.D.Tubing packed in hand carrying plastic case. (吹塑手提箱包装)



Item No.	Clamps 扩头	Item No.	Clamps 扩头
E800A-01	For inch:1/4"	E800M-01	For metric:6mm
E800A-02	For inch:5/16"	E800M-02	For metric:8mm
E800A-03	For inch:3/8"	E800M-03	For metric:10mm
E800A-04	For inch:1/2"	E800M-04	For metric:12mm
E800A-05	For inch:5/8"	E800M-05	For metric:16mm
E800A-06	For inch:3/4"	E800M-06	For metric:19mm



WK-E800



13PCS Tubing Tool Kit (13件套管子工具套装)


CT-813

WK-R806AM Flares: 1/4", 5/16", 3/8", 1/2", 5/8", 3/4" & 6mm, 8mm, 10mm, 12mm, 16mm, 19mm O.D. Tubing

CT-274 Tube Cutter 1/8" to 1-1/8" (4 to 28mm)

CT-209 Reamer 1/4" to 1-5/8" (3 to 41mm)

CT-122 Ratchet Wrench (3/8", 5/16", 1/4" and 3/16" sq. reversible ratchets)

CT-207 Handy deburrer, Blade can be swivelled.



CT-96 Swaging Punch For: 1/4", 5/16", 3/8", 1/2", 5/8" & 3/4" O.D. Tubing

CT-102-L For Inch: 5/16", 3/8", 1/2", 5/8" & 3/4" size O.D. Tubing

With hand carrying case.

WK-R806AM 扩管器 + CT-274 割刀 + CT-209 倒角器 + CT-207 倒角刀 + CT-96 胀针 + CT-102 精品弹簧弯管器 + CT-122 棘轮扳手 + 手提箱

45° Eccentric Cone Type Flaring Tools (45° 偏心式扩管器)

Item No. (型号)	Description (品名规格)	
	CT-806A(M)	For inch: 1/4", 5/16", 3/8", 1/2", 5/8" & 3/4" O.D. Tubing For metric: 6mm, 8mm, 10mm, 12mm, 16mm & 19mm O.D. Tubing
	CT-808A(M)	For inch: 3/16", 1/4", 5/16", 3/8", 1/2", 5/8" & 3/4" O.D. Tubing For metric: 5mm, 6mm, 8mm, 10mm, 12mm, 16mm & 19mm O.D. Tubing
	CT-806AM-L	CT-806 + CT-274 + CT-208 1/4", 5/16", 3/8", 1/2", 5/8", 3/4" & 6mm, 8mm, 10mm, 12mm, 16mm, 19mm O.D. Tubing Packed in hand carrying plastic case. (吹塑手提箱包装)
	CT-808AM-L	CT-808 + CT-274 + CT-208 3/16", 1/4", 5/16", 3/8", 1/2", 5/8", 3/4" & 5mm, 6mm, 8mm, 10mm, 12mm, 16mm, 19mm O.D. Tubing Packed in hand carrying plastic case. (吹塑手提箱包装)



CT-275 / CT-2000

45° Flaring & Swaging Tool KIT

45° 精品胀管扩孔套装

CT-275

Flares 1/8", 3/16", 1/4", 5/16", 3/8", 7/16", 1/2", 5/8" & 3/4" O.D.

Includes 5 swage adapters that swage 7 tube sizes 3/16", 1/4", 5/16", 3/8", 1/2", 5/8", 3/4" O.D.

CT-2000

For 3/16", 1/4", 5/16", 3/8", 7/16", 1/2", 5/8", O.D. Includes 6mm, 8mm, 10mm, 12mm, 16mm & 19mm O.D.

Packed In Hand Carrying Plastic Case.



CT-278

45° Flaring & Swaging Tool KIT

45° 精品胀管扩孔套装

CT-278

CT-275 Flares 1/8", 3/16", 1/4", 5/16", 3/8", 7/16", 1/2", 5/8" & 3/4" O.D.

Includes 5 swage adapters that swage 7 tube sizes 3/16", 1/4", 5/16", 3/8", 1/2", 5/8", 3/4" O.D.

CT-274 Tube Cutter 1/8" ~ 1-1/8" (3-28mm)

CT-122 Ratchet Wrench For 1/4", 3/8", 3/16", 5/16"

Packed In Hand Carrying Plastic Case.



CT-1226-AL

45° Flaring & Cutter Tool Kit

45° 精品扩管器+割刀套装

CT-1226-AL

CT-195 Common Extrusion Flaring Tool. For 3/16", 1/4", 5/16", 3/8", 7/16", 1/2" & 5/8" O.D. Tubing.

CT-274 Tube Cutter 1/8" ~ 1-1/8" (3-28mm)

Packed In Hand Carrying Plastic Case.



CT-96FB

45° Double Flaring Tool Kits

45° 双层式扩管器工具组

CT-96FB Flares 3/16", 1/4", 5/16", 3/8", 7/16", 1/2" & 5/8" and 6mm, 8mm, 10mm, 12mm, 16mm & 19mm O.D. Tubing.

Includes 7 Double Flaring Adapters Which Cover 3/16", 1/4", 5/16",

3/8", 7/16", 1/2" & 5/8" O.D. Tubing.

Packed In Hand Carrying Plastic Case.



Screw down flaring cone with proper size adapter in tube. Retract cone remove adapter, complete flare.

DSZH® Grabber Flaring Tool 万能扩管器


CT-526-F

For 3/16" to 3/4" & 5mm to 19mm O.D.


CT-525-F

For 3/16" to 5/8" & 5mm to 16mm O.D.


活块扩孔器
 Blocks Type Flaring Tool

CT-500
CT-505

For 3/16", 1/4", 5/16", 3/8", 1/2" & 5/8" O.D.

For 3/16", 1/4", 5/16", 3/8", 1/2", 5/8" & 3/4" O.D.

45° Flaring Tool (45° 扩孔器)


CT-195

For 3/16", 1/4", 5/16", 3/8", 7/16", 1/2" & 5/8" O.D.


CT-203

For 5/8", 3/4", 7/8" & 1-1/8" O.D.

Hydraulic Expander & Flaring Tools (液压扩管胀管工具)



最大扩口: 22mm



WK-400

强力胀管&扩口

HEAVY DUTY EXPANDING & FLARING

方便快捷

FAST & CONVENIENT



夹管模
和胀头

Liners And Expander



液压胀管

Hydraulic Expander




液压扩管

Hydraulic Flare



标准胀管和扩口

Accurate Flaring & Expanding

	Item No. (型号)	Description (品名规格)
	WK-400A-L	WK-400+WK-532 +CT-207+8PCS Includes swage adapters +4PCS Steel bar
WK-400M-L		For metric:5mm,6mm,8mm,10mm,12mm,16mm, 19mm,22mm,O.D.Tubing Packed in hand carrying plastic case.(吹塑手提箱包装)



Hydraulic Hose Compressing Tools (手动液压软管压接器)




强力压管

HEAVY DUTY COMPRESSING TOOLS

方便快捷

FAST & CONVENIENT

WK-700

	Item No. (型号)	Description (品名规格)	
	WK-700-L	WK-700+7PCS Includes tablet compressing	#6,#8,#10,#12,#6SRB,#8SRB,#10SRB, #12SRB O.D.Tubing Packed in hand carrying plastic case. (吹塑手提箱包装)

Hydraulic Hose Compressing Tools (脚踏液压软管压接器)



WK-770-L

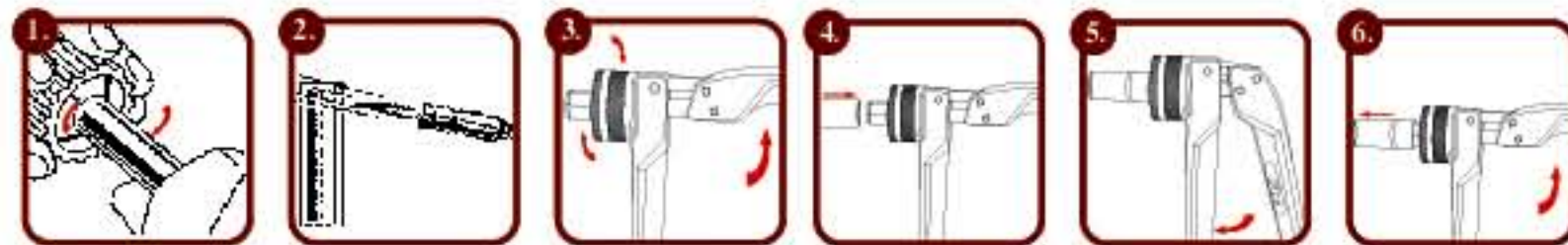
Lever Tube Expanding Tool Kit (杠杆胀管器工具箱)



CT-100

杠杆胀管
LEVER EXPANDED

方便快捷
FAST & CONVENIENT



SIX EASY STEPS:

- * Deburr inside of tube.
- * To create perfectly expanded tubing for soldering or brazing, you must use soft copper or fully anneal end of tube to be expanded.
- * Pull expander handle up to 90-degree position. Maintain this position as you screw the appropriate size head over the center-punch and tighten.
- * Insert the end of the tube over the expander head completely.
- * Pull the lever completely down.
- * Return the lever to the 90-degree position. Remove expanded tube.

简单的六步操作:

- * 去除管子内毛刺。
- * 被胀的管子必需是软管或者被退过火的管子。
- * 将胀管器手柄拉到90度的位置,保持住这个位置然后旋转适当尺寸的胀头到胀针上并旋紧。
- * 将管子末端完全插到胀头上。
- * 将杠杆向下推到底。
- * 把杠杆拉回到90度位置,拿掉胀好的管子。



升级版

UPGRADE VERSION

CT-100AL/CT-100ML



CT-100A/CT-100M

Item No. (型号)	Description (品名规格)		
CT-100AL	NEW	CT-100A+CT-312+CT-207	For inch:3/8",1/2",5/8",3/4",7/8",1",1-1/8",1-1/4",1-3/8",1-1/2" & 1-5/8" O.D.tubing.
CT-100ML	NEW	CT-100M+CT-312+CT-207	For Metric:10mm, 12mm, 16mm, 19mm, 22mm, 25mm, 28mm, 32mm, 35mm, 38mm & 42mm O.D.tubing.
CT-100A	Normal	CT-100A+CT-312+CT-207	For inch:3/8",1/2",5/8",3/4",7/8",1",1-1/8" O.D.Tubing.
CT-100M	Normal	CT-100M+CT-312+CT-207	For Metric:10,12,16,19,22,25,28mm O.D.Tubing.

Hydraulic Tube Expander (手动液压胀管器)



强力胀管

HEAVY DUTY EXPANDED

方便快捷

FAST & CONVENIENT

专利产品
PATENTED

CT-300



Joint Comparison
连接对比



Copper coupling used
直通连接

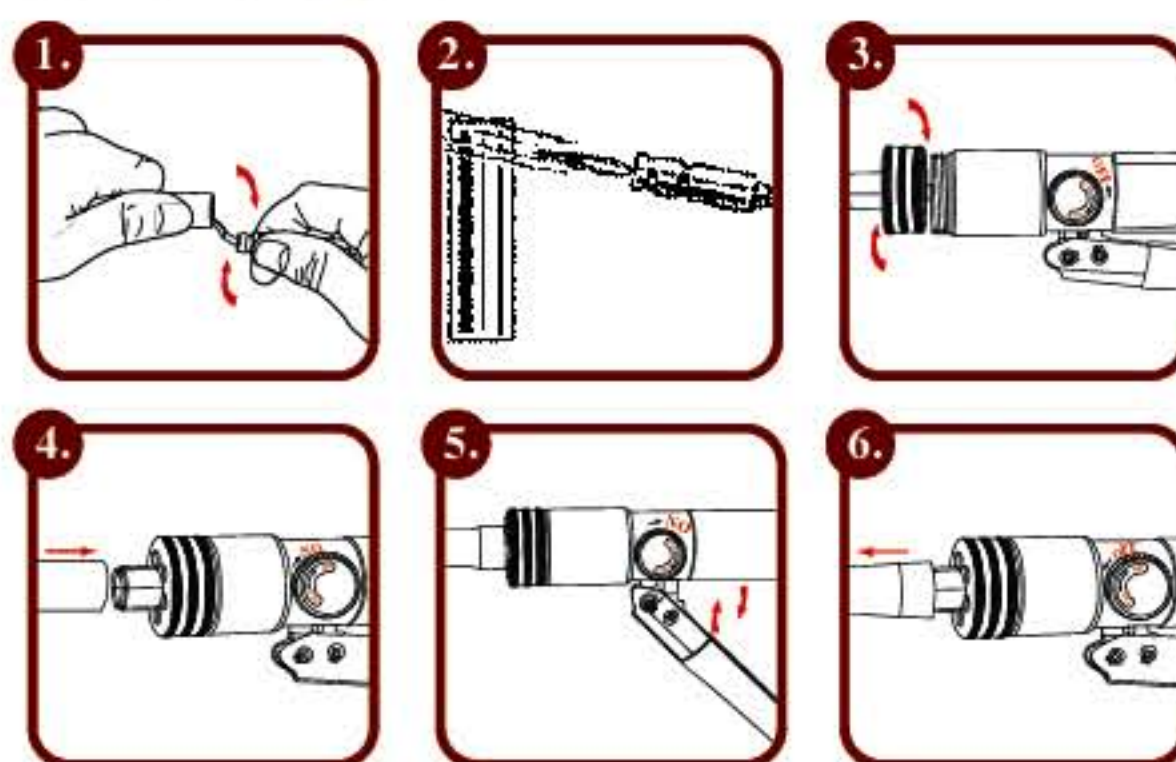


Advantage 胀管器的优点

- ★ 节省一个直通,降低安装材料成本。
- ★ 减少一个焊口,相应减少焊条、氧气、乙炔等耗材的使用,降低材料成本。
- ★ 减少一个焊口,减少一个铜管焊口处泄漏的可能。
- ★ 手动液压胀管设计可,轻松胀开 $\Phi 10\text{mm}$ - $\Phi 42\text{mm}$ 管子。

- ★ No copper coupling needed any more, Save cost of material.
- ★ Only one side need to be welded. Save cost and reduce possibility of leak.
- ★ manual hydraulic mechanism design can expand tubings from 10mm to 42mm diameter.
- ★ used for soft copper tube, Aluminum tube, Titanium tube, soft steel and other soft tube.

操作示意图



SIX EASY STEPS:

- ★ deburr inside of tube.
- ★ anneal the tube if necessary (for hard or thickwall tube).
- ★ screw the expander head on expander.
- ★ put the end of tube on expander head.
- ★ tighten the relief valve knob to 'On' position then pump handle until tube is expanded to the end.
- ★ turn the relief valve knob to 'OFF' position to loosen expander head. remove expanded tube.

简单操作六步骤

- ★ 除去管内毛刺。
- ★ 如果有必要,给管子退火(用于硬管或者厚管),
- ★ 将胀头旋到胀管器上。
- ★ 将管子末端放到用头上。
- ★ 将减压阀旋钮向'ON'方向并扭紧,然后反复压动手柄直到管子完全胀开。
- ★ 将减压阀旋钮旋至'OFF'位置松开胀头,取下胀好的管子。



CT-300A



CT-300AL

Item No. (型号)	Description (品名规格)		
CT-300A	Normal	CT-300A+CT-107+CT-209	For inch:3/8",1/2",5/8",3/4",7/8",1",1-1/8" O.D.Tubing.
CT-300M	Normal	CT-300M+CT-107+CT-209	For Metric:10,12,16,19,22,25,28mm O.D.Tubing.
CT-300AL	NEW	CT-300A+WK-650+CT-209+CT-207+CT-300PL	For inch:3/8",1/2",5/8",3/4",7/8",1",1-1/8",1-1/4",1-3/8",1-1/2",1-5/8"O.D.tubing.
CT-300ML	NEW	CT-300M+WK-650+CT-209+CT-207+CT-300PL	For Metric:10,12,16,19,22,25,28,32,35,38,42mm O.D.tubing.

Expanding joint 胀管连接



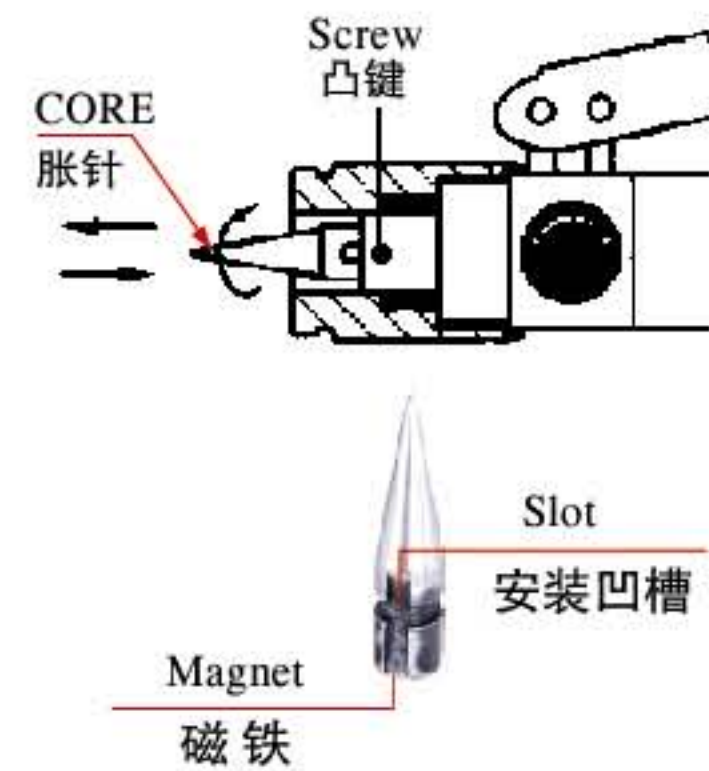
CT-300P
胀管器针



CT-300PL
胀管器针

When changing the 'CORE', first, tighten the relief valve knob to 'ON' position, then pump handle to the end. turn around the 'CORE' until its slot aimed to the screw inside expander tool, pull it out. Secondly, change a new 'CORE', aim its slot to the screw in expander tool, pull it in and turn 180 degree. Loosen relief valve to 'OFF' position to finish. Use CT-300P for the spare expander head below 28mm and CT-300PL for up 28mm.

更换胀针时，首先关闭减压阀并摇动手柄直到停止，转动胀针，使胀针上的凹槽对准凸键后直接拔出来。然后插入新胀针，把胀针上的凹槽对准凸键后插入并旋转180度。松开减压阀。28mm 以下的胀头用 CT-300P，28mm以上的胀头用CT-300PL。



NEW Expander Heads 新型自动定心式胀头

New Spare Expander Heads 新型备用胀头			
Inch	英制	Metric	公制
N100A-1/4"	For inch:1/4"	N100M-6mm	For metric:6mm
N100A-3/16"	For inch:3/16"	N100M-8mm	For metric:8mm
N100A-12	For inch:1-3/4"	N100M-45mm	For metric:45mm
N100A-13	For inch:2"	N100M-50mm	For metric:50mm
N100A-14	For inch:2-1/8"	N100M-54mm	For metric:54mm

New Spare Expander Heads 新型备用胀头			
Inch	英制	Metric	公制
N100A-01	For inch:3/8"	N100M-01	For metric:10mm
N100A-02	For inch:1/2"	N100M-02	For metric:12mm
N100A-03	For inch:5/8"	N100M-03	For metric:16mm
N100A-04	For inch:3/4"	N100M-04	For metric:19mm
N100A-05	For inch:7/8"	N100M-05	For metric:22mm
N100A-06	For inch:1"	N100M-06	For metric:25mm
N100A-07	For inch:1-1/8"	N100M-07	For metric:28mm
N100A-08	For inch:1-1/4"	N100M-08	For metric:32mm
N100A-09	For inch:1-3/8"	N100M-09	For metric:35mm
N100A-10	For inch:1-1/2"	N100M-10	For metric:38mm
N100A-11	For inch:1-5/8"	N100M-11	For metric:42mm



180° 2-in-1 Ladder Type Tube Bender

PATENTED 2-IN-1

180° 2合1 阶梯式新型专利两用弯管器



WK-1012-A

WK-1012-A-180° For 3/8" & 1/2" size O.D. Tubing
WK-1012-M-180° For 10mm & 12mm size O.D. Tubing

- ★ Aluminum alloy body
- ★ Bend radius 23mm For 3/8" (10mm) O.D. Tubing
- ★ Bend radius 35.8mm For 1/2" (12mm) O.D. Tubing
- ★ Open size-slips on tubing at any point, can bend 0.4mm thin tube without distortion.
- ★ Calibrated markings for making accurate left-hand, right-hand, and offset bends 180° start requires less effort. Makes bending fast and easy.

- ★ 铝合金材料。
- ★ 10mm(3/8")弯管的半径为: 23mm
- ★ 12mm(1/2")弯管的半径为: 35.8mm
- ★ 可以弯出标准而精确180°的铜管。
- ★ 可以弯薄到0.4mm的管, 而不变形。
- ★ 实用新型专利和外观设计专利。

1) 采用人体工程学设计的防滑手柄



Ergonomic design skidproof handle

2) 多规格阶梯式弯管槽



Multi stepped bender grooves

3) 可验证铜管尺寸的孔设计



Tube size testing design

4) 对应不同的管径可移动式弯管钩设计



Removable hook design for multi tube sizes



WK-N368-180°

180° 3-in-1 TUBE BENDER

180° 3合1 新型三用弯管器 6mm, 8mm, 10mm

WK-N368-A-180° For 1/4", 5/16" & 3/8" size O.D. Tubing
Aluminum alloy body, Bend radius 15/16" (24mm).
弯管半径为: 15/16" (24mm).



- ★ Aluminum alloy body.
- ★ Open size-slips on tubing at any point, can bend 0.4mm thin tube without distortion.
- ★ Calibrated markings for making accurate left-hand, right-hand, and offset bends 180° start requires less effort. Makes bending fast and easy.



WK-268-180°

180° 2-in-1 TUBE BENDER

180° 2合1 新型两用弯管器 6mm, 8mm

WK-268-A-180° For 1/4" & 5/16" size O.D. Tubing
Aluminum alloy body, Bend radius 11/16" (17.5mm).
弯管半径为: 11/16" (17.5mm).



- ★ 铝合金材料。
- ★ 可以弯出标准而精确180°管。
- ★ 可以弯薄到0.4mm的管, 而不变形。
- ★ 外观设计专利, 采用人体工程学设计的
- ★ 防滑手柄, 可验证铜管尺寸的孔设计



碳钢+纤维
Carbon steel + Fibre material body

CT-369FHA-180°

180° 4-in-1 FIBRE TUBE BENDER

180° 4合1 高强度纤维弯管器

CT-369FHA-180° For 3/16", 1/4", 5/16" & 3/8" size O.D. Tubing

- ★ Carbon steel + Fibre material body.
- ★ 3/16"-1/4" Bend radius 11/16"(17.5mm).
- ★ 5/16"-3/8" Bend radius 15/16"(24mm).
Open size-slips on tubing at any point, can bend 0.4mm thin tube without distortion.
- ★ Calibrated markings for making accurate left-hand, right-hand, and offset bends 180° start requires less effort. Makes bending fast and easy.
- ★ 碳钢加高强度纤维材料。
- ★ 3/16"-1/4" 弯管的半径为11/16"(17.5mm)。
- ★ 5/16"-3/8" 弯管的半径为15/16"(24.0mm)。
- ★ 可以弯出标准而精确180° 管。
- ★ 可以弯薄到0.4mm的管，而不变形。



CT-368A-90° / CT368M-90°

90° TUBE BENDER 3-in-1

90° 弯管器3合1

CT-368A-90° For 1/4", 5/16" & 3/8" size O.D. Tubing

- ★ Aluminum alloy body, Bend radius 15/16"(24mm).
- ★ Open size-slips on tubing at any point, can bend 0.4mm thin tube without distortion.
- ★ Calibrated markings for making accurate left-hand, right-hand, and offset bends 90° start requires less effort. Makes bending fast and easy.
- ★ 铝合金材料。
- ★ 弯管的半径为：15/16"(24mm)。
- ★ 可以弯出标准而精确90° 管。
- ★ 可以弯薄到0.4mm的管，而不变形。



CT-364-06/08

Lever Type Tube Bender (杠杆型弯管器)

CT-364A-06 For 3/8" O.D. Tubing. Bend radius 23mm
适用于3/8" 直径的管子。弯管半径为23mm

CT-364M-06 For 10mm O.D. Tubing. Bend radius 23mm
适用于10mm直径的管子。弯管半径为23mm

CT-364A-08 For 1/2" O.D. Tubing. Bend radius 35.8mm
适用于1/2" 直径的管子。弯管半径为35.8mm

CT-364M-08 For 12mm O.D. Tubing. Bend radius 35.8mm
适用于12mm直径的管子。弯管半径为35.8mm

CT-364A(M)-10 For 5/8"(16mm) O.D. Tubing. Bend radius 54.4mm
适用于5/8" (16mm)直径的管子。弯管半径为54.4mm

CT-364A(M)-12 For 3/4"(19mm) O.D. Tubing. Bend radius 75.3mm
适用于3/4" (19mm)直径的管子。弯管半径为75.3mm

CT-364A(M)-14 For 7/8"(22mm) O.D. Tubing. Bend radius 82.1mm
适用于7/8" (22mm)直径的管子。弯管半径为82.1mm

- ★ Each tool bends one size.
- ★ For bending soft copper, brass, aluminum, steel, stainless steel and other very thinner metals.
- ★ Calibrated marking with red color to show angle of bend, Wide hook grips tugging securely.
- ★ Makes smooth short radius bends up to 180° with minimum effort, No marking, scraping or flattening of tubing.
- ★ New fixed hook tube benders furnished have easy 90° start-require much less effort to make fast, accurate bends.



CT-364-10/12/14

- ★ 每一种弯管器仅弯一个尺寸。
- ★ 可以弯软管类、铜管类、铝管类、软铁钢类、不锈钢管和一些非常薄的管。
- ★ 用红色记号显示标准的刻度，宽的钩子能牢固安全的抓住管道。
- ★ 可以弯出标准而精确0~180°的管子，只需要最小的力量没有压伤的印痕、刮伤和变形。
- ★ 带有固定的钩，从90° 开始弯曲可以快速、省力而又精确的弯出标准的管。


90° Multi Bender Kit (90° 组合手动弯管套装)
智慧紧凑

EXQUISITE & COMPACT


快速轻准

FAST & ACCURATE

WK-666

	Item No. (型号)	Description (品名规格)		特点:
	WK-666	For 5mm, 6mm, 8mm, 10mm, 12mm, 1/4", 5/16", 3/8" & 1/2" O.D. Tubing	In blow-mold carrying case. Aluminium alloy wheel (铝轮)	<ul style="list-style-type: none"> ★ 专为小管径设计 ★ 适用于空调制冷、环境控制、供油、汽车、液压和气压系统。 ★ 节约购买的储存预备管件的费用 ★ 机械棘轮快速精确弯管 ★ 人体工程学设计适用于单手操作 ★ 紧凑设计可在受限空间内弯管 ★ 可弯壁厚为0.4mm的薄管


CT-999
反弯管

REVERSE BENDING


CT-999RF

CT-999

CT-999R

CT-999F

CT-999RF

Item No. (型号)	Description (品名规格)		
CT-999	CT-999+CT-274+CT-207	For Inch: 1/4", 5/16", 3/8", 1/2", 5/8", 3/4", 7/8" O.D. Tubing. For Metric: 6, 8, 10, 12, 16, 19, 22mm O.D. Tubing.	In blow-mold carrying case. Fibre wheel (纤维轮)
CT-999R	CT-999+CT-274+CT-207	For Inch: 3/8", 1/2", 5/8", 3/4", 7/8" O.D. Tubing. For Metric: 10, 12, 16, 19, 22mm O.D. Tubing.	With special reverse direction bending function. In blow-mold carrying case. Fibre wheel (纤维轮)
CT-999F	CT-999F+CT-274+CT-207	For Inch: 1/4", 5/16", 3/8", 1/2", 5/8", 3/4", 7/8" O.D. Tubing. For Metric: 6, 8, 10, 12, 16, 19, 22mm O.D. Tubing.	In blow-mold carrying case. Aluminium alloy wheel (铝轮)
CT-999RF	CT-999F+CT-274+CT-207	For Inch: 3/8", 1/2", 5/8", 3/4", 7/8" O.D. Tubing. For Metric: 10, 12, 16, 19, 22mm O.D. Tubing.	With special reverse direction bending function. In blow-mold carrying case. Aluminium alloy wheel (铝轮)

Digital programmable vacuum meter 数显可编辑真空计

指示灯
INDICATOR LIGHT

操作键盘
KEYPAD

可设定目标真空度 & 报警功能
PROGRAMMABLE & ALARM

高清图LCD显示屏
HIGH DEFINITION LCD SCREEN

电池电量指示
BATTERY LEVEL INDICATOR

真空度单位
VACUUM UNITS

真空度传感器
VACUUM SENSOR

1/4英寸 标准接口
1/4" SAE BRASS CONNECTION

超高精度
SUPERHIGH ACCURACY

多功能
MULTIFUNCTION



真空度单位: Pa, mBar, mmHg, Torr, mTorr, Microns
VACCUUM UNITS: Pa, mBar, mmHg, Torr, mTorr, Microns

Unit	ITEM NO	WK-VG88 Digital Vacuum meter											
1	Vacuum Range	真空范围	0 ~ 15000Microns (0 ~ 2000Pa)										
2	Operating temperature range	使用温度范围	-40℃ -45℃										
3	Battery model	电池型号	5 x 1.5V battery 5节x1.5V电池										
4	Battery life	电池使用寿命	300 hours of using 300小时										
5	Vacuum meter units	真空表单位选择	Pa, mBar, mmHg, Torr, mTorr, Microns										
6	Vacuum meter indicate	真空表指示	Real-time vacuum pressure test and percentge indicate 真空压力与百分比指示										
7	Resolution & Accuracy	精确性	<table border="0"> <tr> <td>ATM ~ 1000Pa: ± 10% of reading</td> <td>ATM ~ 7500Microns: ± 10% of reading</td> </tr> <tr> <td>1000Pa ~ 200Pa: ± 5% of reading</td> <td>7500Microns ~ 1500Microns: ± 5% of reading</td> </tr> <tr> <td>200Pa ~ 100Pa: ± 2.5% of reading</td> <td>1500Microns ~ 750Microns: ± 2.5% of reading</td> </tr> <tr> <td>100Pa ~ 20Pa: ± 1.5% of reading</td> <td>750Microns ~ 150Microns: ± 1.5% of reading</td> </tr> <tr> <td>20Pa ~ 0Pa: ± 1% of reading</td> <td>150Microns ~ 0Microns: ± 1% of reading</td> </tr> </table>	ATM ~ 1000Pa: ± 10% of reading	ATM ~ 7500Microns: ± 10% of reading	1000Pa ~ 200Pa: ± 5% of reading	7500Microns ~ 1500Microns: ± 5% of reading	200Pa ~ 100Pa: ± 2.5% of reading	1500Microns ~ 750Microns: ± 2.5% of reading	100Pa ~ 20Pa: ± 1.5% of reading	750Microns ~ 150Microns: ± 1.5% of reading	20Pa ~ 0Pa: ± 1% of reading	150Microns ~ 0Microns: ± 1% of reading
ATM ~ 1000Pa: ± 10% of reading	ATM ~ 7500Microns: ± 10% of reading												
1000Pa ~ 200Pa: ± 5% of reading	7500Microns ~ 1500Microns: ± 5% of reading												
200Pa ~ 100Pa: ± 2.5% of reading	1500Microns ~ 750Microns: ± 2.5% of reading												
100Pa ~ 20Pa: ± 1.5% of reading	750Microns ~ 150Microns: ± 1.5% of reading												
20Pa ~ 0Pa: ± 1% of reading	150Microns ~ 0Microns: ± 1% of reading												

Spare Parts & Accessories For WK-VG88

WKT87 Adapter for WK-68VG. 1/4" SAE male to 1/2"-20 male to 1/2"-20 swivel female tee
外螺纹1/4" SAE、外螺纹1/2" SAE、内螺纹1/2" SAE。

WKT48 Adapter for WK-68VG. 1/4" SAE male to 1/2" ACME male to 1/4" SAE swivel female tee
外螺纹1/4" SAE、外螺纹1/2" 美式接口、内螺纹1/2" SAE。

WKT45 Adapter for WK-68VG. 1/4" SAE male to 1/4" SAE male to 1/4" SAE swivel female tee
外螺纹1/4" SAE、外螺纹1/4" SAE、内螺纹1/4" SAE。

WKT48

Vacuum meter 真空表

Vacuum meter 1000 to 0 mbar
Diameter: 3-1/8"
Connection: 1/8" NPT Male connection
With maxi-reading gauge pointer indicates maximum pressure reading attained during any given period. Readjust with thumb screw.

真空表1000至0毫巴
直径: 3-1/8英寸
连接: 1/8" NPT外螺纹接口
配有最大读数仪表指针
指示任一指定期间所达到的最大压力读数。可以指旋螺纹重新调节。

WK-18VG



Refrigerant Gas Leak Detector 制冷剂检漏仪


RLD-382P


FEATURES

Refrigerant Leak Detector is a perfect tool for maintaining the air-condition or a cooling system with compressor and Refrigerant. This unit uses a newly developed semi-conductor sensor which is extremely sensitive for variety of general used Refrigerant.

- Microprocessor Control with advanced digital signal processing.
- Multi color visual display.
- High-median-Low leak sensitivity selector.
- Low battery indication.
- Semiconductor gas sensor.
- Detection of R-134a, R-410A, R-407C, R22... Freon gas.
- Carrying case included.
- 15.5"(40cm) flexible stainless probe.
- Reference Leak source included.
- Ambient concentration reset.
- Long-life, DC brushless fan.
- Automatic zero and background compensation.
- AC Adapter: 5V 0.5A

Sensitivity:

Refrigerant	H	M	L
R-22, 134a	3g/year	15g/year	30g/year
R-404A, 407C, 410A	4g/year	20g/year	40g/year

功能特点

制冷剂检漏仪是非常好的空调及带制冷剂、压缩机的制冷系统维修工具。此产品所采用的最新开发的半导体探头对各种常用制冷剂非灵敏。

- 先进的数字信号处理微处理器控制
- 多彩视感显示
- 高-中-低泄露灵敏度选择
- 电池电压不足指示
- 半导体气体探头
- 可检测R-134a, R-410A, R407C, R22等氟里昂气体
- 手提箱
- 15.5" (40CM)弹性不锈钢探杆
- 参考泄漏源
- 周围浓度重置
- 长寿命, 直流无刷风扇
- 自动归零及背景补偿
- 交流适配器: 5V, 0.5A

SEMICONDUCTOR GAS SENSOR.
Delivers quick response to leak and maintain maximum sensitivity throughout the life of the sensor.

QUICK SELECT SENSITIVITY
Depress "sens Lo" down of the sensitivity
Depress "sens Hi" up of the sensitivity

EASY ONE BUTTON OPERATION
Depress once to turn unit ON.
Double-click to change sensitivity.
Depress and hold to turn unit OFF/ON.



7 LED MULTI COLOR VISUAL DISPLAY.
Enables user to pinpoint exact location of leak



HIGH OUTPUT ALARM SPEAKER
Delivers clear crisp alarm tones

TWO DETECTED STATES
The light of "reset" on unit enter automatic detected state
Depress and hold the "reset" two seconds unit enter manual detected state

Refrigerant Gas Leak Detector

制冷剂检漏仪

Alarm Method	Buzzer, Tricolor LED bar Indicator.	Disable Auto Power OFF	Press "ON/OFF" button then power on the meter
Power Usage	4 AA size (6V DC) Alkaline Batteries	Warm-Up Time	Approximately 45 seconds
Snake Tube length	40cm(15.5")	Operating Temperature & Humidity	0 ~ 40°C < 80% RH
Dimension/Weight	173x66x56mm (approximately 400g)	Storage Temperature & Humidity	-10 ~ 60°C, < 70% RH
Battery Line	Approximately 7 hours normal use.	Detectable Gases	CFCs: R11, R12, R13; HCFCs: R22, R502, R500;
Auto Power OFF	10 minutes		HFCs: R134a, R123, R125, R23, R404A, R407C,
Altitude	< 2000M(6500')		R410A and other halogen based compounds

Refrigerant Gas Leak Detector 卤素检漏仪



DSA-200

Introduction

The DSA-200 Refrigerant Gas Leak Detector is most technologically advanced of its kind. The DSA-200 low power requirements, small size and its sensitivity combine to create a tool which is easy to handle and ultra effective at locating even the most difficult-to-find leaks. Fully SAE J1627 compliant, the DSA-200 will detect leaks as small as 0.1 oz / yr (3g/year) in R12, R22, R134a and other halogen refrigerant systems.

DSA-200 has added useful features to enhance the usability. 1-5 levels range for real-time sensitivity cycle adjustment. 6 pieces of LED displays the leak degree in large range in the form of "gradually lights the light". and also indicates the sensitivity level. Tactile keypads make the operation more convenient.



CT-CPU05

Introduction

The CT-CPU05 is Micro processor control with advanced digital signal collect and processing ability. 6 level single color alarm 4 key-press operation interface 6 level sensitivity real-time adjustable Fast reset and Battery voltage indicate Built-in pump Detect all halogen gas leak Maximum resolution 3g / ya use 2 'AA' alkaline batteries work steady and reliable.

Features:

- Micro processor control with advanced digital signal collect and processing ability.
- Tri-color display
- Provide maximum 64 times of 6 level sensitivity adjust
- Touch key board
- Real-time sensitivity adjust
- Battery voltage indicate
- Detect R134a, R12, R12 etc
- Detect all halogen gas leak
- Built-in pump provide positive air flow to sensing tip.
- Cordless, use 2 'AA' alkaline batteries
- 14" (35.5cm) stainless steel flexible probe



CT-CPU06

Introduction

The CT-CPU06 halogen leak detector adopt advanced digital circuit and micro processor control system, it's one of the most steady, sensitive products in our company. High-tech CPU core's digital signal process ability can manage circuit and process detected signal much better. More integrate circuit adopted in this product, so more than 40% electronic components had been reduced and work more effective, reliable.

Micro processor detect sensing tip and power voltage at speed of 6000 time/s which can catch very feeble signal, so it make the halogen leak detector perform best sensitivity and reliability.

Gradual change Sound & message alarm system indicate leak which make detector work more easy and visual able.

Item No. (型号)	DSA-200	CT-CPU05	CT-CPU06
Dimensions	17cm × 6cm × 3.8cm	22.9cm × 6.5cm × 6.5cm	22.9cm × 6.5cm × 6.5cm
Batteries	2 × 1.5V 'AA' Alkaline Batteries (3 VDC)	2 × 1.5V 'AA' Alkaline Batteries (3 VDC)	2 × 1.5V 'AA' Alkaline Batteries (3 VDC)
Battery Life	40 hours	40 hours	40 hours
Sensitivity	< 3g/year (0.1 oz/yr)	< 3g/year (0.1 oz/yr)	< 3g/year (0.1 oz/yr)
Sensor lifetime	approx. 30 hours	approx. 30 hours	approx. 30 hours
Operating temperature	32-122° F (0-50°C)	32-122° F (0-50°C)	32-122° F (0-50°C)
Warm up time	< 2 sec.	< 10 sec.	< 10 sec.
Response time	instantaneous	instantaneous	instantaneous
Reset time	instantaneous	instantaneous	instantaneous
Probe length	12" (30 cm)	14" (33.5 cm)	14" (33.5 cm)

Large Flow Programmable Charging Scale 大流量可编程冷媒加注秤



超大流量 定量加注

EXTRA-LARGE FLOW QUANTITY CHARGING

Features

- High performance solenoid valve (1kg per 45sec)
- High visibility LCD display
- RCS-N9030 measures weight in kgs, lbs, oz.
- Built-in memory remembers all previous settings.
- Built-in alarm function.
- Long battery life reaches 60 hours.
- High accuracy and resolution(100kgs/5g).
- Programmable
- Can be calibrated in the field with inexpensive reference weight.

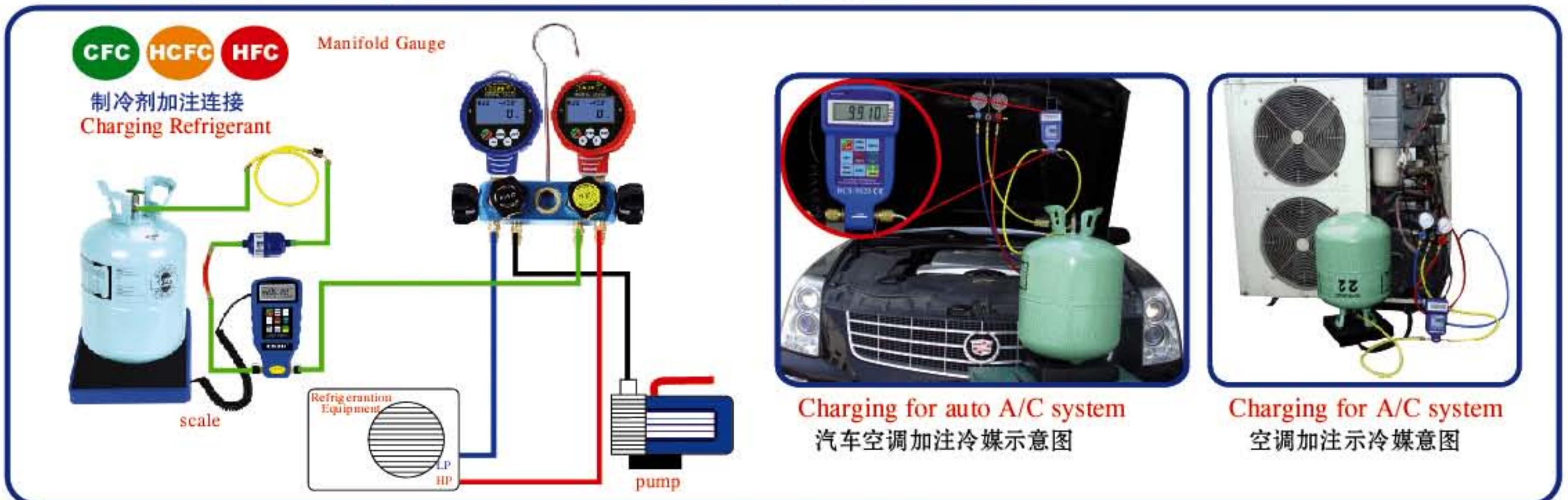
特点

- 高性能大流量电磁阀(每1公斤冷媒的流量仅需40秒)
- 高清晰LCD显示屏
- RCS-N9030可转换三种单位(公斤/英镑/盎司)
- 可回收加注所有冷媒
- 报警功能
- 电池使用寿命长达60小时
- 高精度100公斤5克
- 自动可编程
- 可加注气体液体

CE

RCS-N9030

NOTE: To prevent damage, never exceed the rated capacity of the scale.



大流量可编程加注回收所有冷媒，精确度高(100公斤5克精度)自动关闭、自动报警功能。适用于汽车空调、商用空调、冷库等制冷机冷媒加注。

ITEM	RCS-N50A	RCS-N9030
Capacity 最大秤重能力	50 KGS / 110 LB/ 110 LB.00.00Z	100 KGS / 220 LB/ 220 LB.00.00Z
Units 单位转换	KGS/LBS/OZ	KGS/LBS/OZ
Accuracy 分辨率	0.2% OF READING +/- 1 LEAST	0.5% OF READING +/- 1 LEAST
Resolution 精确度	± 0.07 OZ / 2G	± 0.25 OZ / 5G
Platform Size 秤盘的尺寸	8-3/4" x 8-3/4" 223x223mm	
Power 使用电压	5 × 1.5V ALKALINE BATTERY (7.5VDC)	
Battery Life 电池寿命	60 HOURS CONTINUOUS USE	
Operation Temperature 使用温度	10℃ - 50℃ (50F-122F)	
Weight 重量	2.74KG (6.03 IBS)	



RCS-N50A



RCS-N9030

Electronic Refrigerant Charging Scale 普通冷媒计重秤



RCS-7040



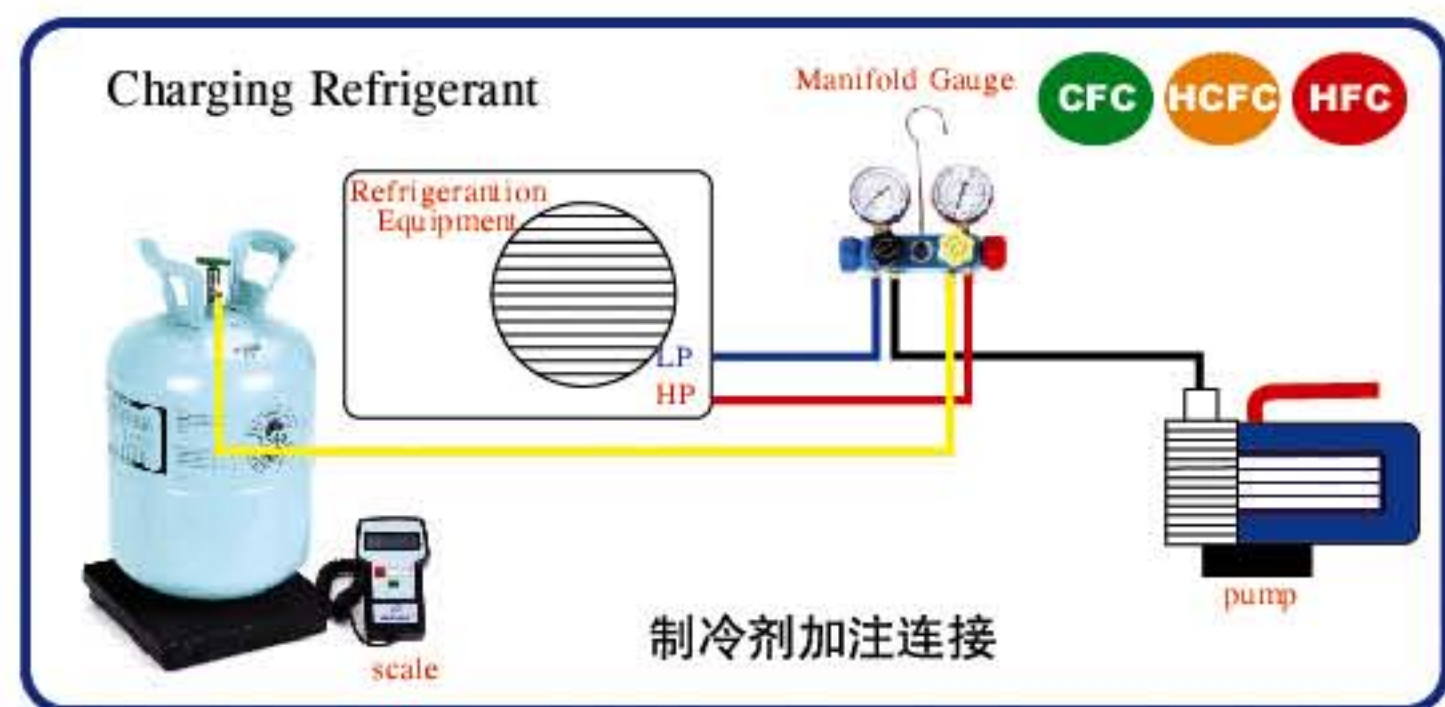
精确计量 携带方便

SUPER ACCURACY CARRY CONVENIENT

Introduction

RCS series refrigerant charging scales are used for refrigerant charging, recovery & weighing of commercial A/C, auto A/C, refrigeratory systems. Portable carrying case with 223mm x 223mm platform. High capacity up to 100kgs (220lbs). High accuracy of +/-5g (0.01lb). high-visibility LCD display 66mm x 20mm & 67mm x 23mm optional. Flexible 6 inches(1.83m) coil design. Long life 9V batteries.

RCS 系列电子秤用于商用空调,汽车空调,冷库等制冷系统的冷媒加注、回收、计重。便携式手提移动的金属平台尺寸为223mmx223mm。提供了高容量的计重量程。最重可秤: 100KG(220LB)。并带有公制与英制的计量单位。高精度的分辨率,可以精确到正负5克 / 0.01英镑。66MM x 20MM 和 67mmx23mm的大尺寸高清液晶屏可选。长度为6英尺(1.83米)人性化卷绳设计,可以自由伸缩。9V的电池可以长时间使用。



NOTE: To prevent damage, never exceed the rated capacity of the SCALE.

ITEM	RCS-7010	RCS-7020	RCS-50	RCS-7040
LCD DISPLAY 液晶显示屏	 两种单位可选择(Unit Shift): 公斤/英镑(KG/LB) 液晶显示屏尺寸(Lcd Size): 66mm x 20mm 显示屏: 5位显示 (5 Digits Display)	 两种单位可选择(Unit Shift): 公斤/英镑(KG/LB) 液晶显示屏尺寸(Lcd Size): 66mm x 20mm 显示屏: 5位显示 (5 Digits Display)	 三种单位可选择(Unit Shift): 公斤/英镑/盎司(KG/LB/OZ) 液晶显示屏尺寸(Lcd Size): 67mm x 23mm 显示屏: 7位显示 (7 Digits Display)	 三种单位可选择(Unit Shift): 公斤/英镑/盎司(KG/LB/OZ) 液晶显示屏尺寸(Lcd Size): 67mm x 23mm 显示屏: 7位显示 (7 Digits Display)
Range of weight 秤重范围	0-70 kg or 0-154 lbs	0-100 kg or 0-220 lbs	0-50kg or 0-110 lbs or 0 IB.00.00 oz-110 IB 00.00 oz	0-100kg or 0-220 lbs or 0 IB.00.00 oz-220 IB 00.00 oz
Accuracy 精确性	± 0.5% of reading		0.2% of reading	0.5% of reading
Resolution 分辨率	5 g /0.01 IB (5克/0.01英镑)		± 2 g/ 0.006 IB/ 0.08 OZ	± 5 g/ 0.010 IB/ 0.25 OZ
Unit 单位	KG / LB (公斤/英镑)		Kg/Lb/OZ(公斤/英镑/盎司)	
Power supply 电源	9VDC(直流9V)		9VDC(直流9V)	
Operting temp 使用温度	32F To 113F (0℃ To 45℃)		32F To 113F (0℃ To 45℃)	
Platform size 秤盘尺寸	8-3/4" x 8-3/4" 223x223mm		8-3/4" x 8-3/4" 223x223mm	
Battery life 电池寿命	30 Hours Continuous Use		30 Hours Continuous Use	
Weight 重量	2.485KG (5.47 OZ)		2.485KG (5.47 OZ)	



Digital Pressure & Vacuum Gauges 制冷剂压力及真空压强两用数显表

DSZH® Digital gauges adopt advanced digital circuit and high accuracy pressure sensor. used for both high accuracy refrigerant pressure and vacuum pressure. 82 refrigerants build-in according to NIST standard refrigerants pressure and temperature relationship database. real-time test of pressure got relative temperature which can help you more convenient for refrigeration system installation or servicing.



WK-688L

Features

- ★ Pressure and vacuum gauge shift function
- ★ build-in 82 refrigerants according to U.S.A. NIST standard refrigerants pressure and temperature relationship database.
- ★ Real-time vacuum pressure test and percent indicate
- ★ Low power indicate. Batteries life:30H. 9V.
- ★ Pressure units: KPa, Bar, Psi, Torr, Kg F/cm2, InHg, MmHg
- ★ Temperature units: °F, °C
- ★ Test range **UAC** :-101 Kpa-6Mpa
RXX :-101 Kpa-4Mpa
For WK688L, WK688H
- ★ Resolution: 1Kpa
- ★ Accuracy: ± 0.5 %
- ★ Overload: 100Bar, 10Mpa
- ★ Operating temp.: -20°C ~ 60°C

产品特点

- ★ 冷媒表与真空相互切换。
- ★ 根据美国国家标准内置82种制冷剂压力 and 对应温度的数据库
- ★ 可测量真空压力并以百分比提示真空度。
- ★ 电池低电压提示, 电池使用寿命为30小时, 9V电池。
- ★ 测量压力单位为: Kpa, Bar, Psi, Torr, Kg F/cm2, InHg, MmHg
- ★ 测量温度单位为: °F, °C
- ★ 测量范围 **UAC** :-101 Kpa-6Mpa
RXX :-101 Kpa-4Mpa
适用于: WK688L, WK688H
- ★ 最小值: 1Kpa
- ★ 传感器精度: ± 0.5%
- ★ 过载限值: 100Bar, 10Mpa
- ★ 使用范围: -20°C ~ 60°C

技术参数

数字表包含以下表格的制冷剂数据
表格中: Liq=制冷剂的液态
Vap=制冷剂的汽态

TECHNICAL DESCRIPTION

Digital Gauges can be used with the following refrigerants:
Liq=Liquid,
Vap=Vapor
1Mpa=10Bar=10.1972kg/cm²=145.038 Psi

Digital Gauge Frame Drawing

数显单结构图

1. Refrigerants Select "+"
2. Hold: fast select

1. 制冷剂选择键
2. 长按快进

Power On/Off
电源开关键

1. Press to "ZERO"
2. Default Refrigerants Status
Hold 2Sec Vacuum Status

1. 屏幕清零键
2. 长按清零键2秒切换到真空表模式



Default Refrigerants Status 制冷表模式



Hold 2Sec Vacuum Status 真空表模式

UAC = Vacuum
00.0 % Vacuum pressure
percent indicate



LCD Display
LCD液晶屏

1. Pressure/Temperatures Units
2. Hold 2sec Background Light On/Off

1. 压力单位选择键
2. 长按2秒背光源开关

1. Refrigerants Select "-"
2. Hold: fast select

1. 制冷剂选择键
2. 长按快退

高精度压力传感器
Pressure sensor

WK-688H

序号 Unit	WK-688H Refrigerant(高压)	WK-688L Refrigerant(低压)	序号 Unit	WK-688H Refrigerant(高压)	WK-688L Refrigerant(低压)	序号 Unit	WK-688H Refrigerant(高压)	WK-688L Refrigerant(低压)	序号 Unit	WK-688H Refrigerant(高压)	WK-688L Refrigerant(低压)
1	R11	R11	22	R290	R290	43	R410B-LIP	R410B-VAP	64	R424A-LIP	R424-VAP
2	R113	R113	23	R32	R32	44	R411A-LIP	R411A-VAP	65	R425A-LIP	R425A-VAP
3	R114	R114	24	R401A-LIQ	R401A-VAP	45	R411B-LIP	R411B-VAP	66	R426A-LIP	R426A-VAP
4	R115	R115	25	R401B-LIQ	R401B-VAP	46	R412A-LIP	R412A-VAP	67	R427A-LIP	R427A-VAP
5	R116	R116	26	R401C-LIQ	R401C-VAP	47	R413A-LIP	R413A-VAP	68	R428A-LIP	R428A-VAP
6	R12	R12	27	R402A-LIQ	R402A-VAP	48	R414A-LIP	R414A-VAP	69	R50	R50
7	R123	R123	28	R402B-LIQ	R402B-VAP	49	R414B-LIP	R414B-VAP	70	R500-LIP	R500-VAP
8	R124	R124	29	R403A-LIQ	R403A-VAP	50	R415A-LIP	R415A-VAP	71	R501-LIP	R501-VAP
9	R125	R125	30	R403B-LIP	R403B-VAP	51	R415B-LIP	R415B-VAP	72	R502-LIP	R502-VAP
10	R13	R13	31	R404A-LIP	R404A-VAP	52	R416A-LIP	R416A-VAP	73	R503-LIP	R503-VAP
11	R134A	R134A	32	R405A-LIP	R405A-VAP	53	R417A-LIP	R417A-VAP	74	R504-LIP	R504-VAP
12	R14	R14	33	R406A-LIP	R406A-VAP	54	R418A-LIP	R418A-VAP	75	R507A-LIP	R507A-VAP
13	R141B	R141B	34	R407A-LIP	R407A-VAP	55	R419A-LIP	R419A-VAP	76	R508A-LIP	R508A-VAP
14	R142B	R142B	35	R407B-LIP	R407B-VAP	56	R420A-LIP	R420-VAP	77	R508B-LIP	R508B-VAP
15	R143A	R143A	36	R407C-LIP	R407C-VAP	57	R421A-LIP	R421A-VAP	78	R509A-LIP	R509A-VAP
16	R152A	R170	37	R407D-LIP	R407D-VAP	58	R421B-LIP	R421B-VAP	79	R600	R600
17	R170	R152A	38	R408A-LIP	R408A-VAP	59	R422A-LIP	R422A-VAP	80	R600A	R600A
18	R21	R21	39	R409A-LIP	R409A-VAP	60	R422B-LIP	R422B-VAP	81	R717	R717
19	R218	R218	40	R409B-LIP	R409B-VAP	61	R422C-LIP	R422C-VAP	82	R744	R744
20	R22	R22	41	R41	R41	62	R422D-LIP	R422D-VAP			
21	R23	R23	42	R410A-LIP	R410A-VAP	63	R423A-LIP	R423A-VAP			

Digital Manifolds 数显表阀

超高精度

SUPERHIGH ACCURACY

多功能

MULTIFUNCTION



WK-6881L



WK-6882



WK-6881H

Features

- ★ Pressure and vacuum gauge shift function
- ★ build-in 82 refrigerants according to U.S.A. NIST standard refrigerants pressure and temperature relationship database.
- ★ Real-time vacuum pressure test and percent indicate
- ★ Low power indicate. Batteries life:30H. 9V.
- ★ Pressure units:KPa,Bar,Psi,Torr,Kg F/cm2, InHg,MmHg
- ★ Temperature units:°F, °C
- ★ Test range **UAC** :-101 Kpa-6Mpa
RXX :-101 Kpa-4Mpa
For WK688L, WK688H
- ★ Resolution: 1Kpa
- ★ Accuracy: ± 0.5%
- ★ Overload: 100Bar,10Mpa
- ★ Operating temp.: -20°C ~ 60°C

产品特点

- ★ 冷媒表与真空相互切换。
- ★ 根据美国国家标准内置82种制冷剂压力和对应温度的数据库
- ★ 可测量真空压力并以百分比提示真空度。
- ★ 电池低电压提示, 电池使用寿命为30小时, 9V电池。
- ★ 测量压力单位为: Kpa. Bar. Psi. Torr. Kg F/cm2.InHg.MmHg
- ★ 测量温度单位为: °F, °C
- ★ 测量范围 **UAC** :-101 Kpa-6Mpa
RXX :-101 Kpa-4Mpa
适用于:WK688L, WK688H
- ★ 最小值:1Kpa
- ★ 传感器精度: ± 0.5%
- ★ 过载限值: 100Bar,10Mpa
- ★ 使用范围: -20°C-60°C



Item No.(型号)	Size of hose (管子长度)	Description (规格)
WK-6881H	36" (90cm)	Single Digital manifolds + 2Pcs of charge hose.
	60" (150cm)	Working pressure,800PSI,Burst 4000PSI+1Pcs of 9V Battery + 1Pcs of Adapter AD-89 + 1Pcs of suitcase.
	72" (180cm)	
WK-6881L	36" (90cm)	单阀数显表+2根加液管, 工作压力800PSI, 爆破压力4000PSI+1块9V电池+1只转换接头AD-89+1只手提箱。
	60" (150cm)	
	72" (180cm)	
WK-6882-L	36" (90cm)	2Valve Digital manifolds + 3Pcs of charge hose. Working pressure,800PSI,Burst 4000PSI+2Pcs of 9V Battery + 2Pcs of Adapter AD-89 + 1Pcs of suitcase.
	60" (150cm)	双阀数显表+3根加液管, 工作压力800PSI, 爆破压力4000PSI+2块9V电池+2只转换接头AD-89+1只手提箱。
	72" (180cm)	



WK-6881



WK-6882-L



Digital Manifolds 数显表阀

80多种制冷剂可选

OVER 80 REFRIGERANTS

高清LCD显示屏

HIGH DEFINITION LCD SCREEN

质感软胶按键

TEXTURE SOFT RUBBER BUTTON



钳型热偶温度传感器

1/4英寸 标准接口

1/4" SAE BRASS CONNECTION



WK-6884



WK-6889

电池电量指示

BATTERY LEVEL INDICATOR

精准显示过冷过热度

ACCURATE DISPLAY SUPER HEAT AND SUPER COOL

精准显示饱和温度

ACCURATE DISPLAY SATURATION TEMPERATURE

高精度

HIGH ACCURACY

超防震

SUPER SHOCK PROFF

横膜式阀门质感开关

TEXTURE DIAPHRAGM VALVE KNOB

WK-6889

Item No. (型号)	Size of hose (管子长度)	Description (规格)
WK-6884-L	36" (90cm)	4Valve Digital manifolds + 4Pcs of charge hose. Working pressure, 800PSI, Burst 4000PSI + 2Pcs of 9VBattery + 2Pcs of Adapter AD-89 + 1Pcs of suitcase. 四阀数显表+4根加液管, 工作压力800PSI, 爆破压力 4000PSI + 2块9V电池 + 2只转换接头AD-89 + 1只手提箱。
WK-6884-L	60" (150cm)	
WK-6884-L	72" (180cm)	
WK-6889-L	60" (150cm)	2Valve Digital manifolds + 3Pcs of charge hose. Working pressure, 800PSI, Burst 4000PSI + 5Pcs of 1.5VBattery + 2Pcs of temper ature sensor+ 1Pcs of suitcase. 2阀数显表+3根加液管, 工作压力800PSI, 爆破压力 4000PSI + 5块1.5V电池 + 2钳型热偶温度传感器 + 1只手提箱。



R12,R22 & R502 Standard Charging Hose

R12,R22 & R502 标准加液管

CT-336-RYB 3 pcs 36"(90cm)red,yellow & blue hoses sets

CT-360-RYB 3 pcs 60"(150cm)red,yellow & blue hoses sets

CT-372-RYB 3 pcs 72"(180cm)red,yellow & blue hoses sets

Working pressure **500PSI** Burst **2500PSI**.

Designed to meet 1/4"SAE requirement for refrigerant permutation and assure long work life.

最大的工作压力为**500PSI**，最大爆破压力为**2500PSI**。

1/4"SAE的接头，该优质管能确保长时间的工作寿命。



R134 Premium Charging Hose with 1/4" SAE Fittings

R134 优质胶管 1/4" SAE

CT-336-RYB-P 3 pcs 36"(90cm)red,yellow & blue hoses sets

CT-360-RYB-P 3 pcs 60"(150cm)red,yellow & blue hoses sets

CT-372-RYB-P 3 pcs 72"(180cm)red,yellow & blue hoses sets

Working pressure **600PSI** Burst **3000PSI**.

Designed to meet 1/4"SAE requirement for refrigerant permutation and assure long work life.

最大的工作压力为**600PSI**，最大爆破压力为**3000PSI**。

1/4"SAE的接头，该优质管能确保长时间的工作寿命。



R410 High Pressure Charging Hose

R410 高压胶管 5/16" SAE

CT-336-RYB-H 3 pcs 36"(90cm)red,yellow & blue hoses sets

CT-360-RYB-H 3 pcs 60"(150cm)red,yellow & blue hoses sets

CT-372-RYB-H 3 pcs 72"(180cm)red,yellow & blue hoses sets

Special material high pressure Charging hose.

Working pressure **800PSI** Burst **4000PSI**.

All the hoses with 1/4"SAE、5/16"SAE connections can be delivered.

特殊材质能够耐高压的胶管。

最大的工作压力为**800PSI**，最大爆破压力为**4000PSI**。

所有胶管可提供1/4"SAE、5/16"SAE 的接头。



R410 High Pressure Charging Hose With Ball Valve

R410 带球阀高压胶管接头

R410-RV For red hose with ball valve

R410-YV For yellow hose with ball valve

R410-BV For blue hose with ball valve

Special material high pressure Charging hose.

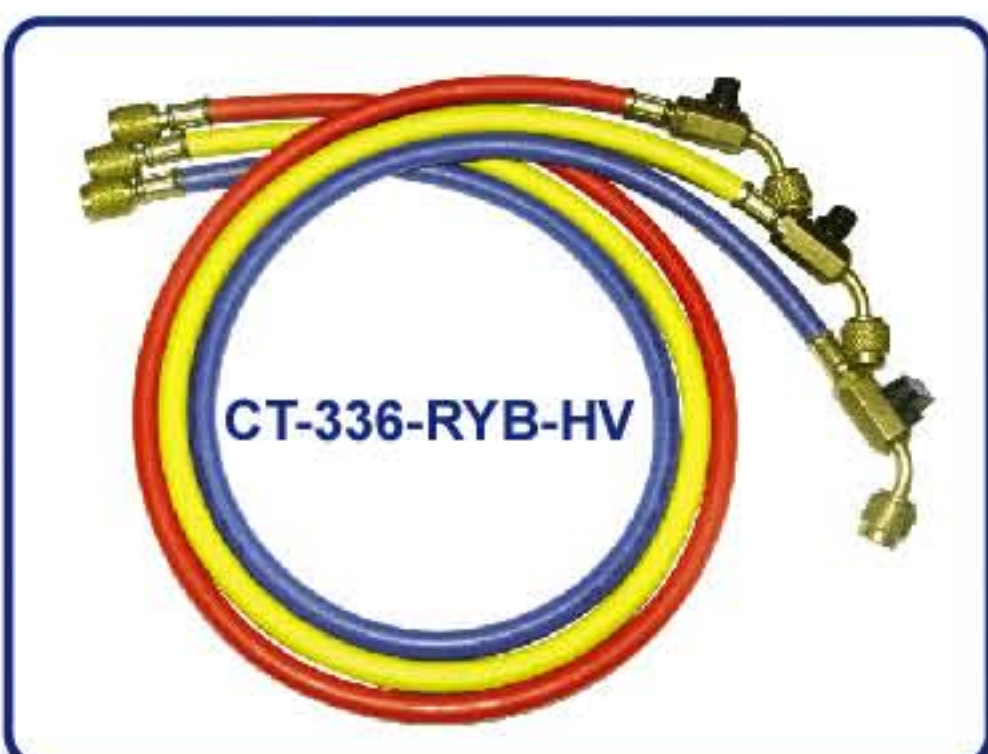
Working pressure **800PSI** Burst **4000PSI**.

All the hoses with 1/4"SAE、5/16"SAE connections can be delivered.

特殊材质能够耐高压的胶管。

最大的工作压力为**800PSI**，最大爆破压力为**4000PSI**。

所有胶管可提供1/4"SAE、5/16"SAE 的接头。



R410 High Pressure Charging Hose With Ball Valve

R410 带球阀高压胶管 5/16" SAE

CT-336-RYB-HV 3 pcs 36"(90cm)red,yellow & blue hoses sets with shut-off ball valve

CT-360-RYB-HV 3 pcs 60"(150cm)red,yellow & blue hoses sets with shut-off ball valve

CT-372-RYB-HV 3 pcs 72"(180cm)red,yellow & blue hoses sets with shut-off ball valve

Special material high pressure Charging hose.

Working pressure **800PSI** Burst **4000PSI**.

All the hoses with 1/4"SAE、5/16"SAE connections can be delivered.

特殊材质能够耐高压的胶管。

最大的工作压力为**800PSI**，最大爆破压力为**4000PSI**。

所有胶管可提供1/4"SAE、5/16"SAE 的接头。



WK 2.5"/68mm Pressure Gauges



- ★ No-flutter gauge design
- ★ Easy to read color coded dials
- ★ Durable metal casing
- ★ Front calibration access port
- ★ High impact pop-in lexan lens
- ★ 1/8" NPT brass connection



WK-6807LG

WK-6807HG

R-22 R-404 R-134A °C KPA PSI

WK 3.5"/80mm Pressure Gauges



- ★ Extra large easy to read scales
- ★ No-flutter gauge design
- ★ Durable metal casing
- ★ Front calibration access port
- ★ High impact pop-in lexan lens
- ★ 1/8 NPT brass connection



WK-8004LG

WK-8004HG

R-410A °C °F KPA PSI

WK 3.5"/80mm Liquid Filled Gauges



WK-RG80L

WK-RG80H

Liquid filled gauges are larger 2-1/2" diameter for easy reading with refrigerants color coded on dials. Liquid filled gauges dampen pulsation. Gauges calibrated to 3-2-3 (Class B) accuracy. Back recalibrator screw. 1/8" NPT Male connection.

Compound Gauge & Filled With Oil



FRG-250GF

Bellow Compound Gauge Filled with Oil 1/4" SAE connection 2 3/4" dia

FRG-500GF

Bellow Pressure Gauge Filled with Oil 1/4" SAE connection 2 3/4" dia



WK-68LB / 68HB

68LB & 68HB Rubber Boots
For standard 68mm gauges

Rubber Boots
橡胶保护套



WK-68LG / 68HG

WK-80LG / 80HG

68LG/H & 80LG/H Rubber Boots
For standard 68mm & 80mm gauges



2-Valve Testing Manifolds 双阀表组

高精度

HIGH ACCURACY

超防震

SUPER SHOCKPROOF

80mm 1.6级高精度阻尼防震压力表

低压: 0 To 550 Psi -30 To 0 InHg

高压: 0 To 760 Psi -30 To 0 InHg

质感护套

TEXTURE PROTECTOR

指针校准孔

CALIBRATION HOLE

横膜式阀门质感开关

DIAPHRAGM TYPE VALVE

制冷剂视窗

SIGHT GLASS

表盘可任意定制

CUSTOMIZABLE SCALE

1/4英寸 标准接口

1/4" SAE BRASS CONNECTION

WK-C3602B

	Dimeter of gauge 68mm(表盘直径)	Dimeter of gauge 80mm(表盘直径)	Gauge scale (表头刻度)	Size of hose (管子长度)	Description (规格)
Item No. (型号)	WK-C3601S	WK-C3601B	R22	36" (90cm)	3pcs charging hoses. Working pressure 600PSI Burst 3000PSI. A sight glass brass/aluminum body. Designed to meet 1/4" SAE.
	WK-C6001S	WK-C6001B	R404A	60" (150cm)	红、黄、蓝三根加液管, 工作压力 600PSI 爆破压力 3000PSI。
	WK-C7201S	WK-C7201B	R134A	72" (180cm)	带视镜铜/铝阀体, 接头尺寸 1/4" SAE。
	WK-C3602S	WK-C3602B	R22	36" (90cm)	3pcs charging hoses. Working pressure 800PSI Burst 4000PSI. A sight glass brass/aluminum body.
	WK-C6002S	WK-C6002B	R404A	60" (150cm)	With 2PCS adapter AD-89. Designed to meet 1/4" SAE.
	WK-C7202S	WK-C7202B	R410A	72" (180cm)	红、黄、蓝三根加液管, 工作压力 800PSI 爆破压力 4000PSI。
	WK-C3603S	WK-C3603B	R22	36" (90cm)	带视镜铜/铝阀体, 接头尺寸 1/4" SAE。
	WK-C6003S	WK-C6003B	R134A	60" (150cm)	3pcs red, yellow & blue charging hoses. Working pressure 500PSI Burst 2500PSI. A sight glass brass/aluminum body. Designed to meet 1/4" SAE.
	WK-C7203S	WK-C7203B	R404A	72" (180cm)	红、黄、蓝三根加液管, 工作压力 500PSI 爆破压力 2500PSI。
					带视镜铜/铝阀体, 接头尺寸 1/4" SAE。


WK-C3601S

WK-C3601B

2-Valve Testing Manifolds 双阀表组

质感护套

TEXTURE PROTECTOR

超级防震

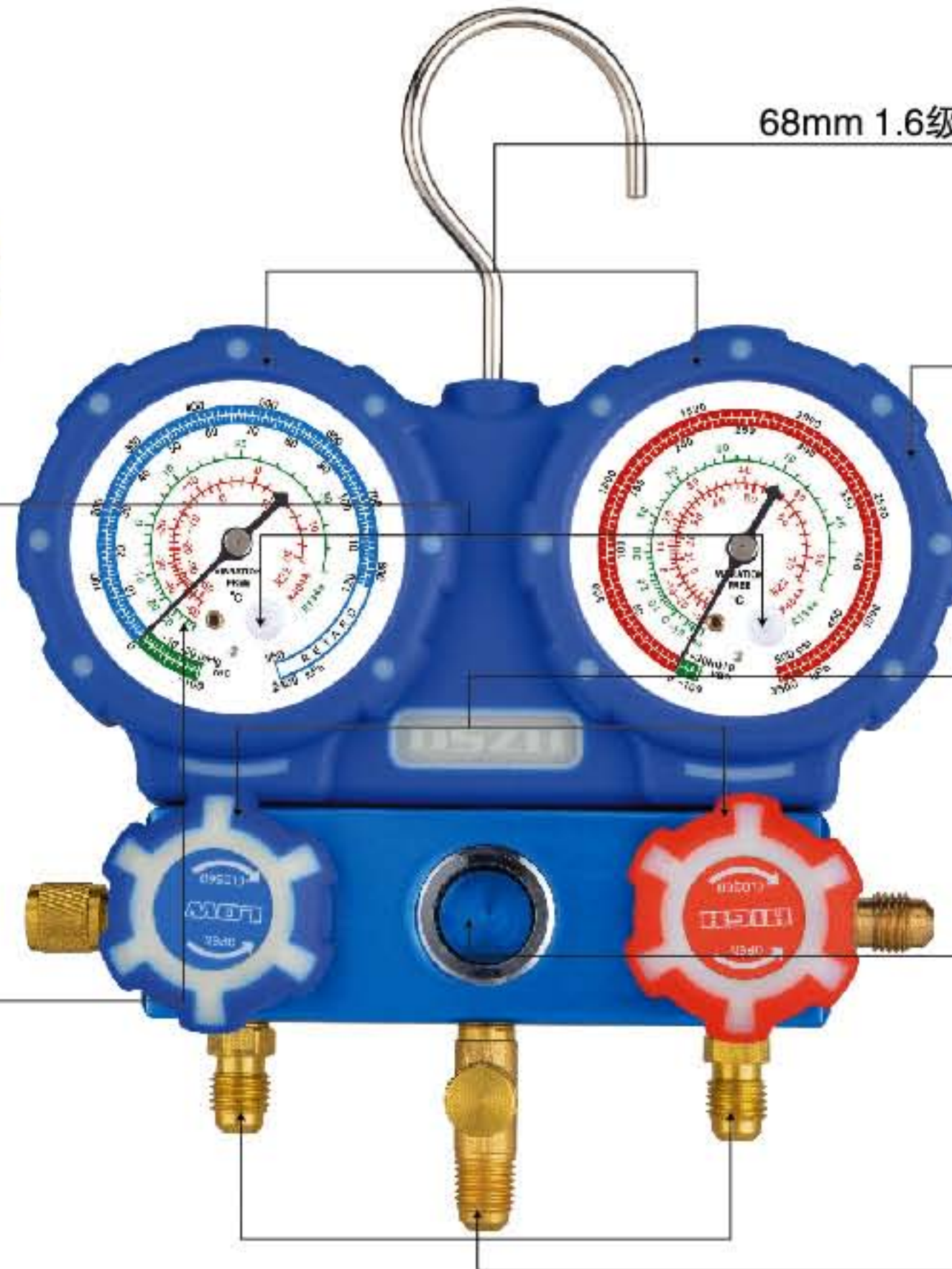
SUPER SHOCK PROFF

指针校准孔

CALIBRATION HOLE

表盘可任意定制

CUSTOMIZABLE SCALE



68mm 1.6级高精度阻尼防震压力表

低压: 0 To 550 Psi -30 To 0 InHg

高压: 0 To 760 Psi -30 To 0 InHg

质感护套

TEXTURE PROTECTOR

横膜式阀门质感开关

DIAPHRAGM TYPE VALVE

制冷剂视窗

SIGHT GLASS

1/4英寸标准接口

1/4" SAE BRASS CONNECTION

WK-P3603S

	Item No. (型号)	Dimeter of gauge	Dimeter of gauge	Gauge scale	Size of hose	Description (规格)	
		68mm(表盘直径)	80mm(表盘直径)	(表头刻度)	(管子长度)		
		WK-P3601S	WK-P3601B	R134A	36" (90cm)		3pcs charging hoses. Working pressure 600PSI Burst 3000PSI. A sight glass brass/aluminum body. With QC-19L/19H. Designed to meet 1/4" SAE. 红、黄、蓝三根加液管, 工作压力600PSI 爆破压力3000PSI。带视镜铜/铝阀体, 接头尺寸1/4"SAE。带QC19H/L快速接头。
		WK-P6001S	WK-P6001B		60" (150cm)		
WK-P7201S	WK-P7201B	72" (180cm)					

	Item No. (型号)	Dimeter of gauge	Dimeter of gauge	Gauge scale	Size of hose	Description (规格)	
		68mm(表盘直径)	80mm(表盘直径)	(表头刻度)	(管子长度)		
		WK-P3602S	WK-P3602B	R410A	36" (90cm)		3pcs charging hoses. Working pressure 800PSI Burst 4000PSI. A sight glass brass/aluminum body. With 2PCS adapter AD-89. Designed to meet 1/4" SAE. 红、黄、蓝三根加液管, 工作压力800PSI 爆破压力4000PSI。带视镜铜/铝阀体, 接头尺寸1/4" SAE。
		WK-P6002S	WK-P6002B		60" (150cm)		
WK-P7202S	WK-P7202B	72" (180cm)					

	Item No. (型号)	Dimeter of gauge	Dimeter of gauge	Gauge scale	Size of hose	Description (规格)	
		68mm(表盘直径)	80mm(表盘直径)	(表头刻度)	(管子长度)		
		WK-P3603S	WK-P3603B	R22 R134A R404A	36" (90cm)		3pcs red,yellow & blue charging hoses. Working pressure 500PSI Burst 2500PSI. A sight glass brass/aluminum body. Designed to meet 1/4" SAE. 红、黄、蓝三根加液管, 工作压力500PSI 爆破压力2500PSI。带视镜铜/铝阀体, 接头尺寸1/4"SAE。
		WK-P6003S	WK-P6003B		60" (150cm)		
WK-P7203S	WK-P7203B	72" (180cm)					


Single Gauge Valve 单表阀

 CT-466H Without Hose
 CT-467L Without Hose

 CT-467-GL Without Hose
 CT-467-GH Without Hose

 CT-468-GL Without Hose
 CT-468-GH Without Hose

Brass Testing Manifolds 铜架表组
2-Valve Testing Manifolds 双阀表组

 CT-536G	Item No. (型号)	Size of hose (管子长度)	Description (规格)	Item No. (型号)	 CT-136G/R12 R22
	CT-536G-R22	36" (90cm)	3pcs red, yellow & blue charging hoses. Working pressure 500PSI Burst 2500PSI. Designed to meet 1/4" SAE.	CT-136G-R22	
CT-560G-R22	60" (150cm)	红、黄、蓝三根加液管, 工作压力500PSI爆破压力2500PSI。接头尺寸1/4" SAE。	CT-160G-R22		
CT-536G-R134A	36" (90cm)	3pcs red, yellow & blue charging hoses. Working pressure 600PSI Burst 3000PSI. Designed to meet 1/4" SAE.	CT-236G-R134A		
CT-560G-R134A	60" (150cm)	红、黄、蓝三根加液管, 工作压力600PSI爆破压力3000PSI。接头尺寸1/4" SAE。	CT-260G-R134A		
CT-536G-R410A	36" (90cm)	3pcs red(5/16"SAE),yellow(1/4"SAE),& blue(5/16"SAE), charging hoses. Working pressure 800PSI Burst 4000PSI. Designed to meet 1/4" SAE.	CT-336G-R410A		
CT-560G-R410A	60" (150cm)	红(5/16"SAE)、黄(1/4"SAE)、蓝(5/16"SAE)三根加液管, 工作压力800PSI爆破压力4000PSI。接头尺寸1/4" SAE。	CT-360G-R410A		

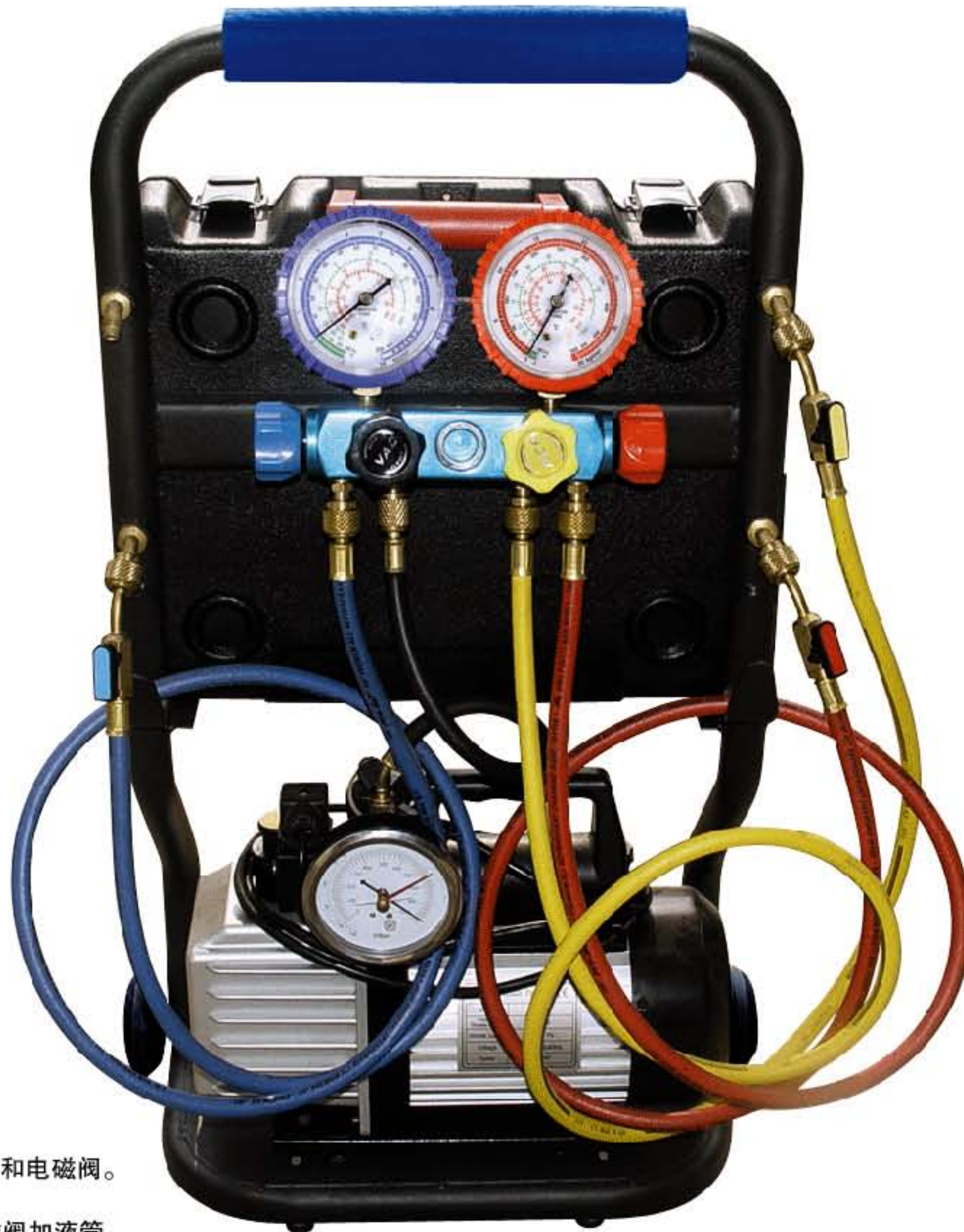
4-Valve Testing Manifolds 四阀表组

 CT-436G-R22	Item No. (型号)	Size of hose (管子长度)	Description (规格)
	CT-436G-R22	36" (90cm)	4pcs red,yellow,black & blue charging hoses. Working pressure 500PSI Burst 2500PSI. A sight glass Aluminum testing manifold body. Designed to meet 1/4" SAE requirement for refrigerant permutation.
CT-460G-R22	60" (150cm)	带视镜铝阀体, 接头尺寸1/4" SAE。	
CT-736G-R134A	36" (90cm)	4pcs red,yellow,black & blue charging hoses. Working pressure 600PSI Burst 3000PSI. A sight glass Aluminum testing manifold body. Designed to meet 1/4" SAE requirement for refrigerant permutation.	红、黄、黑、蓝四根加液管, 工作压力600PSI爆破压力3000PSI。带视镜铝阀体, 接头尺寸1/4" SAE。
CT-760G-R134A	60" (150cm)		
CT-836G-R410A	36" (90cm)	4pcs red(5/16"SAE),yellow(1/4"SAE),black (1/4"SAE),& blue(5/16"SAE), charging hoses. Working pressure 800PSI Burst 4000PSI. A sight glass Aluminum testing manifold body. Designed to meet 1/4" SAE requirement for refrigerant permutation.	红(5/16"SAE)、黄(1/4"SAE)、黑(1/4"SAE)、蓝(5/16"SAE)四根加液管, 工作压力800PSI爆破压力4000PSI带视镜铝阀体, 接头尺寸1/4" SAE。
CT-860G-R410A	60" (150cm)		

Manifolds with hand-carry plastic case 便携式表组

 CT-MC236G/134A	Item No. (型号)	Size of hose (管子长度)	Description (规格)	
	CT-MC236G-R134A	36" (90cm)	3pcs red,yellow & blue charging hoses. Working pressure 600PSI Burst 3000PSI. A sight glass Aluminum testing manifold body. Designed to meet 1/4" SAE requirement for refrigerant permutation.	
CT-MC260G-R134A	60" (150cm)			
CT-MC272G-R134A	72" (180cm)			

Refrigerant Charging Station 加液站 DS20114



标准配制:

1. 4阀铝合金表组带80mm表头。
2. 2DS-215 真空泵带80mm真空表和电磁阀。
3. 可调快速接头QC-19H/L
4. CT-360-RYB-HV 1500mm带球阀加液管。
5. RCS-7040加注秤。

"Ideal for both new installations and existing service work."

This charging station series combine all the necessary tools required to perform a full system evacuation and subsequent charging in a single, compact, mobile unit. Each station includes a service manifold, a vacuum pump, a refrigerant scale and charging hoses with ball valves. The lightweight tubular steel frame incorporates rear wheels for easy transport to and from the jobsite with integrated storage areas for all components.

AC power supply plugs



Item	Description	Item	Description
5011	China Plug	5061	South Africa Plug
5021	China Plug	5071	Europe Plug
5031	Britain Plug	5081	Japan Plug
5041	American Plug	5091	Italy Plug Plug
5051	Australia Plug		



DSZH® Vacuum Pumps 真空泵


Single Stage 单级真空泵

DSZH® Vacuum Pumps Specifications (1.5-12CFM) Single Stage 单级真空泵系列

Item No.		DS115	DS125	DS135	DS145	DS160	DS180	DS1100
Flow Rate 抽气速率	50Hz/220V	1.5 CFM	2.5 CFM	3.5 CFM	4.5 CFM	6 CFM	8CFM	10CFM
		42 L/min	70 L/min	100 L/min	128 L/min	170 L/min	226 L/min	283 L/min
	60Hz/110V	1.8 CFM	3 CFM	4 CFM	5 CFM	7 CFM	9 CFM	12 CFM
		50 L/min	84 L/min	114 L/min	142 L/min	198 L/min	254 L/min	340 L/min
Ultimate vacuum极限真空		10Pa/75microns						
Power 电机功率		1/4Hp	1/4Hp	1/3Hp	1/3Hp	1/2Hp	3/4Hp	1Hp
Inlet Port 进气接头		1/4" Flare	1/4" Flare	1/4" Flare	1/4" Flare	1/4" & 3/8" Flare	1/4" & 3/8" Flare	1/4" & 3/8" Flare
Oil Capability 油量		320ml	320ml	350ml	350ml	450ml	700ml	800ml
Dimensions(mm)外形尺寸		270x119x216	270x119x216	278x119x216	278x119x216	320x134x232	370x140x250	390x140x250
Weight 重量		5.3kg	5.5kg	6.5kg	6.8kg	10kg	14kg	14.5kg

DSZH® Vacuum Pumps Specifications (1.5-12CFM) Dual Stage 双级真空泵系列

Item No.		2DS215	2DS225	2DS235	2DS245	2DS260	2DS280	2DS2100
Flow Rate 抽气速率	50Hz/220V	1.5 CFM	2.5 CFM	3.5 CFM	4.5 CFM	6 CFM	8CFM	10CFM
		42 L/min	70 L/min	100 L/min	128 L/min	170 L/min	226 L/min	283 L/min
	60Hz/110V	1.8 CFM	3 CFM	4 CFM	5 CFM	7 CFM	9 CFM	12 CFM
		50 L/min	84 L/min	114 L/min	142 L/min	198 L/min	254 L/min	340 L/min
Ultimate vacuum极限真空		3.5Pa/25microns						
Power 电机功率		1/4Hp	1/3Hp	1/3Hp	1/2Hp	3/4Hp	1Hp	1Hp
Inlet Port 进气接头		1/4" Flare	1/4" Flare	1/4" & 3/8" Flare	1/4" & 3/8" Flare	1/4" & 3/8" Flare	1/4" & 3/8" Flare	1/4" & 3/8" Flare
Oil Capability 油量		180ml	280ml	360ml	350ml	700ml	600ml	700ml
Dimensions(mm)外形尺寸		270x119x216	278x119x216	320x134x232	320x134x232	370x140x250	370x140x250	390x140x250
Weight 重量		6kg	7kg	11kg	11.8kg	15kg	15.5kg	16kg

DSZH® Vacuum Pumps 真空泵

110 ~ 220V/50 ~ 60Hz



Dual Voltage
双频双压真空泵



电源插座
可便于与各种电源连接
电源调节开关
请在操作前确认开关设置在正确的位置: 110V或220V

Power plug
make this connection with different power plug easy
Power supply conversion switch
make sure this switch is set on the right place before your operating 110V or 220V.

DSZH® Vacuum Pumps Specifications (1.5-12CFM) Dual Voltage 双频双压真空泵系列

Item No.	2DS215D	2DS225D	2DS235D	2DS245D	2DS260D	2DS280D	2DS2100D	
Flow Rate 抽气速率	50Hz/220V	1.5 CFM	2.5 CFM	3.5 CFM	4.5 CFM	6 CFM	8CFM	10CFM
		42 L/min	70 L/min	100 L/min	128 L/min	170 L/min	226 L/min	283 L/min
	60Hz/110V	1.8 CFM	3 CFM	4 CFM	5 CFM	7 CFM	9 CFM	12 CFM
		50 L/min	84 L/min	114 L/min	142 L/min	198 L/min	254 L/min	340 L/min
Ultimate vacuum 极限真空	3.5Pa/25microns							
Power 电机功率	1/4Hp	1/3Hp	1/3Hp	1/2Hp	3/4Hp	1Hp	1Hp	
Inlet Port 进气接头	1/4" Flare	1/4" Flare	1/4" & 3/8" Flare	1/4" & 3/8" Flare	1/4" & 3/8" Flare	1/4" & 3/8" Flare	1/4" & 3/8" Flare	
Oil Capability 油量	180ml	280ml	360ml	350ml	700ml	600ml	700ml	
Dimensions(mm) 外形尺寸	270x119x216	278x119x216	320x134x232	320x134x232	370x140x250	370x140x250	390x140x250	
Weight 重量	6kg	7kg	11kg	11.8kg	15kg	15.5kg	16kg	

新冷媒真空泵 适用于R410A,R407C等新冷媒

New Refrigerant Series Vacuum Pumps Especially For R410A,R407C etc...

- ★ High quality solenoid valve and vacuum gauge on the inlet fitting.
- ★ Automatic disconnection with HVAC system while in interruption of electricity
- ★ Exact indication of internal system pressure on the vacuum gauge
- ★ Special material of the seal
- 进气口安装高品质电磁阀和真空表
- 断电自动切断被抽系统
- 真空表准确显示系统内压力
- 油封、密封圈等采用特殊材质



新冷媒真空泵系列

DSZH® New Refrigerant Series Vacuum Pumps (1.5-12CFM)

Item No.	2DS215S	2DS225S	2DS235S	2DS245S	2DS260S	2DS280S	2DS2100S	
Flow Rate 抽气速率	50Hz/220V	1.5 CFM	2.5 CFM	3.5 CFM	4.5 CFM	6 CFM	8CFM	10CFM
		42 L/min	70 L/min	100 L/min	128 L/min	170 L/min	226 L/min	283 L/min
	60Hz/110V	1.8 CFM	3 CFM	4 CFM	5 CFM	7 CFM	9 CFM	12 CFM
		50 L/min	84 L/min	114 L/min	142 L/min	198 L/min	254 L/min	340 L/min
Ultimate vacuum 极限真空	3.5Pa/25microns							
Power 电机功率	1/4Hp	1/3Hp	1/3Hp	1/2Hp	3/4Hp	1Hp	1Hp	
Inlet Port 进气接头	1/4" Flare	1/4" Flare	1/4" & 3/8" Flare	1/4" & 3/8" Flare	1/4" & 3/8" Flare	1/4" & 3/8" Flare	1/4" & 3/8" Flare	
Oil Capability 油量	180ml	280ml	360ml	350ml	700ml	600ml	700ml	
Dimensions(mm) 外形尺寸	270x119x216	278x119x216	320x134x232	320x134x232	370x140x250	370x140x250	390x140x250	
Weight 重量	6kg	7kg	11kg	11.8kg	15kg	15.5kg	16kg	



Mini Recover Unit 冷媒回收机



DSZH-1A

轻便

LIGHT

美观

SMART

快速

FAST



SPECIFICATION 技术参数

Refrigerant gas 制冷剂	CAT.III: R-12,R-134a,R-401C,R-406A, R-500			
	CAT.IV: R-22,R-401A,R-401B,R-402B, R-407C, R-407D,R-408A,R-409A, R-411A,R-411B, R-412A,R-502,R-509			
	CAT.V: R-402A,R-404A,R-407A,R-407B,R-410,R-507			
VOLTAGE	电压	220-240vac 50/60Hz	100-120vac 50/60Hz	
MOTOR	电机功率	3/4HP	3/4HP	
Motor Speed	转速	2300rpm	2300rpm	
Maximal current	最大电流	2.5A	5A	
Compressor	压缩机	"Oil-less" air Cooled 无油风冷	"Oil-less" air Cooled 无油风冷	
High pressure cut-off	高压切断保护	30bar/38.5bar	30bar/38.5bar	
Recovery rate (kg/min) 制冷剂回收速率		III	VI	V
	Vapor 气体	0.293kg/min	0.312kg/min	0.32kg/min
	Liquid 液体	2.0kg/min	2.31kg/min	2.36kg/min
	Push/Pull 推/拉	5.93kg/min	7.12kg/min	7.94kg/min
Operation temperature	运行温度	0℃-40℃		
Size	外形尺寸	350mm(L)x220mm(W)x300mm(H)		
Net Weight	净重	8KG		

Refrigerant Recovery Unit 冷媒回收机



DSZH 250

Oil separator
Separated oil from the system
油分离器
将油从A/C系统中分离出来。

MODEL 型号		DSZH 250 STANDARD 标准型			DSZH 520 STANDARD 标准型		
Refrigerant gas 制冷剂		Cat III :R12 R134A R401C R406A R500			Cat:R12 R134A R401C R406A R500		
		Cat VI : R22 R401A R401B R402B R407C R407D R408A R409A R411A R411B R412A R502 R509			Cat:R22 R401A R401B R402B R407C R407D R408A R409A R411A R411B R412A R502 R509		
		Cat V .R402A R404A R407A R407B R410A R507			Cat.R402A R404A R407A R407B R410A R507		
VOLTAGE	电源	220V/50HZ			220V/50HZ		
MOTOR	电机	1/2HP AC	电容启动/运转		1HP AC	电容启动/运转	
Maximal current	最大电流	4A			6A		
Compressor	压缩机	oil-less, Air-cooled, 1 Piston style 无油 空冷 活塞式			oil-less, Air-cooled, 2 Piston style 无油 空冷 活塞式		
Recovery rate (kg/min) 制冷剂回收速率		category III	category VI	category V	category III	category VI	category V
	气体	0.23kg/min	0.25kg/min	0.26kg/min	0.46kg/min	0.50kg/min	0.52kg/min
	液体	1.57kg/min	1.81kg/min	1.85kg/min	3.14kg/min	3.62kg/min	3.7kg/min
	推/拉	4.64kg/min	5.57kg/min	6.22kg/min	9.28kg/min	11.04kg/min	12.44kg/min
High pressure switch	高压开关	38bar/550psi			38bar/550psi		
Low pressure switch	低压开关	Optional	可选择		Optional	可选择	
Oil separator	油分离器	Optional	可选择		Optional	可选择	
80% Liquid overcharge protector option		80% 液态过充保护可选择			80% 液态过充保护可选择		
Operation temperature	操作温度	0℃-40℃			0℃-40℃		
Size	尺寸	485mmx220mmx365mm			485mmx220mmx365mm		
Net Weight	净重	16kg			17kg		



Refractometer Automotive Test Tools 冰点测试仪

The WK-1230 series are designed to test the concentration of the battery fluids, antifreeze liquid, cleaning fluids, brix (sugar content), salinity, clinical protein, alcohol, grape wine, and etc. With the indication of the percentage you may know at which temperature the fluid will be frozen for both propylene glycol and ethylene glycol. It can also be used for checking the strength of electrolyte splution batteries.

- Clean to use - no potential for mess or hazardous spills
- Accurate result in seconds
- No conversion charts required
- With extra cover plate & pipette
- ATC(optional)
- Built-in LED light Source


WK-1230

Test The Concentration Of The Battery Fluids, Antifreeze Liquid, Cleaning Fluids And Etc.

Infrared Thermometer 红外测温仪



- Measures surface temperature without contact
- Laser pointer for accurate use
- Easy to read large digital display
- Blue backlight
- Low battery indication

Max range 320°C
 Non-contact measurement
 Laser pointer & Safely measure

WK-1520A

- TEMPERATURE RANGE:-4° to 968°F / -20° to 520°C
- ACCURACY:1% reading
- AMBIENT OPERATING RANGE:32° -105° F
- REPEATABILITY:2% or 3° F
- RESPONSE TIME:500mSec, 95%
- SPECTRAL RESPONSE:7-18 um
- RELATIVE HUMIDITY:10-95%
- EMISSIVITY:0.95
- STORAGE TEMP:-4° to 150° F
- WEIGHT: .33 lb (without battery)
- DIMENSIONS:6.3 × 3.54 × 1.7"
- POWER SOURCE:9V Battery
- BATTERY LIFE:12hrs
- DISTANCE TO SPOT:8:1

- TEMPERATURE RANGE:-4° to 608°F / -20° to 320°C
- ACCURACY:1% reading
- AMBIENT OPERATING RANGE:32° -105° F
- REPEATABILITY:2% or 3° F
- RESPONSE TIME:500mSec, 95%
- SPECTRAL RESPONSE:7-18 um
- RELATIVE HUMIDITY:10-95%
- EMISSIVITY:0.95
- STORAGE TEMP:-4° to 150° F
- WEIGHT: .33 lb (without battery)
- DIMENSIONS:6.3 × 3.54 × 1.7"
- POWER SOURCE:9V Battery
- BATTERY LIFE:12hrs

- Measures surface temperature without contact
- Laser pointer for accurate use
- Easy to read large digital display
- Blue backlight
- Low battery indication

Max range 520°C
 Non-contact measurement
 Laser pointer & Safely measure


WK-1520B

Ball Valves 球阀


BV01

BV901

Item	Female 内螺纹	Male 外螺纹
BV01	1/4" SAE	1/4" SAE
BV02	1/4" SAE	1/2" -20 UNF (5/16"SAE)
BV03	1/2" -20 UNF (5/16"SAE)	1/4" SAE
BV04	1/2" -20 UNF (5/16"SAE)	1/2" -20 UNF (5/16"SAE)
BV901	1/4" SAE 90°	1/4" SAE
BV902	1/4" SAE 90°	1/2" -20 UNF (5/16"SAE)
BV903	1/2" -20 UNF (5/16"SAE) 90°	1/4" SAE
BV904	1/2" -20 UNF (5/16"SAE) 90°	1/2" -20 UNF (5/16"SAE)
BV451	1/4" SAE 45°	1/4" SAE
BV452	1/4" SAE 45°	1/2" -20 UNF (5/16"SAE)
BV453	1/2" -20 UNF (5/16"SAE) 45°	1/4" SAE
BV454	1/2" -20 UNF (5/16"SAE) 45°	1/2" -20 UNF (5/16"SAE)
BVM01		1/4" SAE x 2
BVM02		1/2" -20 UNF (5/16"SAE) x 2
BVM03		1/4" SAE-1/2"20 UNF (5/16"SAE)


BV451

BVM01

Automatic ignition gas torch 自动点火杆焊枪

调旋式火焰,热效率高,铜头表面温度低于 80℃,消除了潜在安全隐患。

Adjustable rotary flame,high thermal efficiency. Surface temperature of copper head lower than 80℃. Eliminate the potential safety hazard.

多重连锁保护装置,使用安全可靠

Multiple interlock protection device, use safe and reliable.

压电陶瓷瞬间电压高,点火安全,方便,点火次数可达3万次

Piezoelectric ceramic improve voltage instantly. Ignition safe and convenient. Ignition can reach 30000 times.

WK-030



高效 ● 方便携带



气流通道设计在顶针端部侧面,气流稳定,能使钢瓶里的可燃气体得到充分燃烧

Airflow channel design at the top side, airflow stability, make the combustible gas fully burning of gas cylinders



蓝焰高效燃烧技术,高抗风压技术 Blue flame efficient combustion technology, high wind pressure technology.



高效涡旋式火焰技术 Efficient vortex type flame technical.

高精度调节阀可精准的调节火焰形状

High precision control valve,accurately adjust the flame shape.

Automatic ignition gas torch 自动点火杆焊枪

涡旋式火焰,热效率高,铜头表面温度低于 80℃,消除了潜在安全隐患。

Adjustable rotary flame,high thermal efficiency. Surface temperature of copper head lower than 80℃. Eliminate the potential safety hazard.

高效能的压电陶瓷点火器,点火次数可达3万次

High efficient piezoelectric ceramic igniter,ignition reach 30000 times.

WK-1S



高精度调节阀,可精准的调节火焰形状

High precision control valve, accurately adjust the flame shape.

Manual ignition single pipe gas torch 手动点火单管焊枪

涡旋式火焰,热效率高,铜头表面温度低于 80℃,消除了潜在安全隐患。

Adjustable rotary flame,high thermal efficiency. Surface temperature of copper head lower than 80℃. Eliminate the potential safety hazard.

高精度调节阀,可精准的调节火焰形状

High precision control valve,accurately adjust the flame shape.

WK-1



Manual ignition double tube gas torch 手动点火双管焊枪

涡旋式火焰,热效率高,铜头表面温度低于 80℃,消除了潜在安全隐患。

Adjustable rotary flame,high thermal efficiency. Surface temperature of copper head lower than 80℃. Eliminate the potential safety hazard.

两根精密不锈钢无缝管,增强了枪管的强度和提高了火焰的温度

Two precision stainless steel seamless pipe, enhance the strength of tube and improve the flame temperature

WK-1D1



高精度调节阀,可精准的调节火焰形状

High precision control valve, accurately adjust the flame shape.

Deluxe torch meet demand of high-end customers 快接式自动点火远程焊枪

涡旋式火焰,热效率高,铜头表面温度低于 80℃,消除了潜在安全隐患。

Adjustable rotary flame,high thermal efficiency. Surface temperature of copper head lower than 80℃. Eliminate the potential safety hazard.

高效能的压电陶瓷点火器,点火次数可达3万次

High efficient piezoelectric ceramic igniter,ignition reach 30000 times.

软管长度也可根据用户需求在订货时提出。

Users can choose the length of tube when purchase.

WK-3SW





Hand Valve Flare Type

手动阀



WK-D

Hand Valve Flare Type	Tube Size	Hand Valve Solder Type	Tube Size
WK-D-04-1/4"	1/4" O.D	WK-D-04S-1/4"	1/4" O.D
WK-D-06-3/8"	3/8" O.D	WK-D-06S-3/8"	3/8" O.D
WK-D-08-1/2"	1/2" O.D	WK-D-08S-1/2"	1/2" O.D
WK-D-10-5/8"	5/8" O.D	WK-D-10S-5/8"	5/8" O.D
WK-D-12-3/4"	3/4" O.D	WK-D-12S-3/4"	3/4" O.D

- ★ Standard flux, not easy to be jammed.
- ★ Forged flare is available on your request.
- ★ 标准流量，不易堵塞
- ★ 如要求可提供锻造喇叭口

Air Conditioner Fittings

空调阀



Air Conditioner Fittings	Tube Size
WK-D-602-04	1/4" O.D
WK-D-603-06	3/8" O.D
WK-D-604-08	1/2" O.D
WK-D-605-10	5/8" O.D
WK-D-606-12	3/4" O.D

- ★ High quality C377IBD copper.
- ★ High quality sealing.
- ★ Imported valve inside.
- ★ Meet customer connection pipe requirement.

Sight Glass Flare Type 视液镜



Sight Glass Flare Type	Tube Size	Sight Glass Solder Type	Tube Size
WK-D-801-1/4"	1/4" O.D	WK-D-801S-1/4"	1/4" O.D
WK-D-802-3/8"	3/8" O.D	WK-D-802S-3/8"	3/8" O.D
WK-D-803-1/2"	1/2" O.D	WK-D-803S-1/2"	1/2" O.D
WK-D-804-5/8"	5/8" O.D	WK-D-804S-5/8"	5/8" O.D
WK-D-805-3/4"	3/4" O.D	WK-D-805S-3/4"	3/4" O.D

- ★ Enhanced sight glass is melted with the brass body
- ★ With a humidity testing paper inside the sight glass different color indicates dry/caution/wet status.
- ★ 强化的视窗镜面与金属体熔接为一体
- ★ 视窗内装有湿度测试纸，不同颜色表明管内气体的干/湿状态

NUTS 纳子



Item No.	Tube Size
WK-N-04	1/4" O.D
WK-N-05	5/16" O.D
WK-N-06	3/8" O.D
WK-N-08	1/2" O.D
WK-N-10	5/8" O.D
WK-N-12	3/4" O.D

Brass Adapters 铜接头



Item No.	Description
WK-141	3/8" Fe.fl. x 1/4" M.fl.adapter
WK-142	1/2" Fe.fl. x 3/8" M.fl.adapter
WK-143	1/2" Fe.fl. x 1/4" M.fl.adapter
WK-144	1/2" Fe.fl. x 1/2" M.Acme.adapter
WK-145	3/8" Fe.fl. x 1/2" M.fl.adapter

Brass Adapters 外螺纹接口



Item No.	Tube Size
WK-DJ04	1/4" O.D
WK-DJ05	5/16" O.D
WK-DJ06	3/8" O.D
WK-DJ08	1/2" O.D
WK-DJ10	5/8" O.D
WK-DJ12	3/4" O.D

Can Tap Tools 开瓶器



High quality C377IBD copper.
High grade dull nickel plating.
Durable product quality.
For R12 & R22 and R134 &
R410A Refrigerant.
Connection 1/4" SAE.

Can Tap Tools 开瓶器



High quality C377IBD copper.
High grade dull nickel plating.
Durable product quality.
For R12 & R22 and R134 &
R410A Refrigerant.
Connection 1/4" SAE.

Brass Adapters 带阀芯转换接头



Model	Female	Male	Other	Application
AD-78	1/2"-20 UNF(5/16"SAE)	1/4"SAE	W/core & Depressor	R-410A International
AD-87	1/4"SAE	1/2"-20 UNF(5/16"SAE)	W/core & Depressor	R-410A International
AD-89	1/2"-20 UNF(5/16"SAE)	1/4"SAE	W/core & Depressor	R-410A International
AD-98	1/4"SAE	1/2"-20 UNF(5/16"SAE)	W/core & Depressor	R-410A International

Valve Core Tools 气门芯拔出工具



EATON 8 & 10mm Valve Core Remover/Installer
R-134a Cars with 8 & 10mm

Access Fittings 单向阀



DS-04

Model	Tube Size
DS-02	1/8" O.D
DS-03	3/16" O.D
DS-04	1/4" O.D
DS-05	5/16" O.D
DS-06	3/8" O.D
DS-07	1/2" O.D

R134a Quick Couplers 快速接头



Model	Colour	Description
QC12-L	Blue	Low side x 1/4" male flare straight
QC12-H	Red	High side x 1/4" male flare straight
QC15-L	Blue	Low side x 1/4" male flare 90°
QC15-H	Red	High side x 1/4" male flare 90°



R134a Adjustable Quick Couplers 可调式快速接头

Model	Description
QC18-L	Low side x 1/4" male 90°
QC18-H	High side x 1/4" male 90°
QC19-L	Low side x 1/4" male & female 90°
QC19-H	High side x 1/4" male & female 90°



Capillary Tube Cutter 多功能毛细管剪刀



夹子钳
适用于0.1~1.5mm的毛细管
适用于1.5~2.5mm的毛细管
适用于2.5~3.0mm的毛细管

Clamp pliers
Cuts 0.1 ~ 1.5mm
Cuts 1.5 ~ 2.5mm
Cuts 2.5 ~ 3.0mm
diameters of capillary tubes

多功能毛细管剪刀

- 带有夹子钳功能
- 可切割所有的毛细管
- 切断后管口平滑不变形

Capillary Tube Cutter
Cuts all sizes of capillary tubes without collapsing nor swaging the tubes.

PTC-02

Swaging Punch Tools 胀管棒



CT-94
For 1/2", 5/8" & 7/8" O.D. Tubing

CT-95
For 1/4", 5/16", 3/8", 1/2" & 5/8" O.D. Tubing

CT-96
For 1/4", 5/16", 3/8", 1/2", 5/8" & 3/4" O.D. Tubing

CT-193
For 1/4", 5/16", 3/8", 1/2" & 5/8" O.D. Tubing



BENDER SPRING 弯管弹簧

CT-102-L For Inch: 1/4", 5/16", 3/8", 1/2" & 5/8" size O.D. Tubing

CT-102-04 For Inch: 1/4" O.D. Tubing

CT-102-06 For Inch: 3/8" O.D. Tubing

CT-102-08 For Inch: 1/2" O.D. Tubing

CT-102-10 For Inch: 5/8" O.D. Tubing

CT-102-12 For Inch: 3/4" O.D. Tubing

CT-102



CT-204 A型封口器
Pinch-off Tool
In extra strong execution to pinch-off suction tubes on all hermetic refrigeration systems up to 3/8" diameter.



CT-201 B型封口钳
7" Pinch off plier
Pinch of copper tubing up to 5/16" (8mm) instantly.



CT-208 内外绞刀
Inner-outer Reamer
Plastic body, 3/16" ~ 1-1/2" O.D. tubing.
Reams Both Inside and Outside Edges of Tubing.



CT-209 内外绞刀
Inner-outer Reamer
Zinc Body, 1/4" ~ 1-5/8" O.D. tubing.
Reams Both Inside and Outside Edges of Tubing.



CT-351 塑料翅片梳
Fin Straightener
For 8", 9", 10", 12", 14", 15" Spacings per inch.
适用于各种尺寸的翅梳。



CT-352 不锈钢散热刷
Fin Straightener
Fin straightener stainless steel. Cleaning & straightening evaporator fin.



CT-122 棘轮扳手
Ratchet Wrench
4 Sizes: 1/4", 3/8", 3/16", 5/16" square ratchet.



CT-123L 棘轮扳手
Ratchet Wrench
4 Sizes: 1/4", 3/16" square, 9/16", 1/2" hex ratchet.



PTC-01 毛细管剪刀
Capillary Tube Cutter
Cuts all sizes of capillary tubes without collapsing nor swaging the tubes.



CT-207 转动倒角刀
Deburrer
Handy deburrer, Blade can be swivelled.
用于管道和板材边缘去毛刺, 小巧轻便, 刀片可按材料轮廓旋转。



环型口袋镜

Inspect Mirror	CT-501	CT-502
Mirror O.D. 视镜直径	32mm	50mm
Length closed 回缩长度	127mm	200mm
Length open 拉伸长度	500mm	410mm
Diameter 杆子直径	8mm	10mm



CT-503 捡拾工具
Pick up Tools
Length closed: 126 mm
Length open: 637 mm
伸缩长度: 126-637毫米

Air Conditioner Installation Spanner

拆装空调机专用扳手

DS-01



使用说明:

- ① 拉出旋转杆，手柄处有固定销防止旋转杆自动缩回。
- ② 把螺丝、螺母、垫片固定在扳手上、下套筒内 (上套筒带有强磁铁，能吸住螺丝垫片)。
- ③ 将扳手对准空调支架的螺丝孔，转动旋转杆，使之自动缩回。此时即可进行操作。

注: 1、高强度套筒经过热处理，可轻松拆出生锈螺丝。
2、套筒内弹簧可使旋转杆自动缩回并压紧螺丝和螺母，便于安装和拆卸。
3、避免传统的工作方式产生的危险。工作人员不必爬出室外操作，在室内即可轻松完成空调机外机的拆装工作。

Spanner For Install & Take Down Air Conditioner User Guide:

- ① Pull out the rotatable bar, a latch beside the handle can avoid the rotatable bar shrink automatically.
- ② Put the screw, nut and gasket in two tube sheath (a magnet in tube sheath abovewhich can catch up the screw and gasket).
- ③ Aim the spanner to the air-conditioner then screw hole in the corner, then rotate the rotatable bar it will shrink automatically. You can operate it now.

NOTE:

1. heated high strength tube sheath can screw out rusty screws and nuts.
2. the spring in the steel tube make the rotatable bar shrink automatically and impack the screw and nut.it will easier to operate.
3. this tool avoid danger from traditional operare method. The operation need not install or take down a air - conditioner climb outside a building, the work can be finished inside.





大圣纵横®
DASHENG ZONGHENG

TOP QUALITY BRAND

金华市威科工贸有限公司
JINHUA WEIKE INDUSTRIAL & TRADING CO.,LTD.

公司地址：金华市金东区岭下镇工业区金岭东路39号

Add: No. 39 Jinling East Road, Lingxia Industry Zone, Jindong District,
Jinhua, Zhejiang Province, China

Tel: 0579-82832878 82832879 82832988 Fax: 0579-82832886

E-Mail: dasheng@cnzongheng.com dszh@cnzongheng.com
rachel@cnzongheng.com

Http: //www.cnzongheng.com