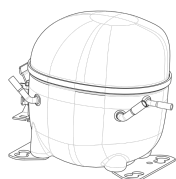


Model **NEK6213U**

Code **863CA58N1PM**

**embraco** POWER IN.  
CHANGE ON.

220-240V 50 1~



## GENERAL DATA

**Application:** MBP  
**Refrigerant:** R290  
**Evaporating Temperature Range:** -20°C to 10°C  
**Compressor Cooling:** Fan  
**Fan air flow:** 520 m<sup>3</sup>/h  
**Type:** Hermetic reciprocating  
**Technology Type:** On-Off  
**Expansion Device:** Capillary Tube or Expansion Valve  
**Packing Quantity:** Multi - 80 pcs  
**Displacement:** 12.11 cm<sup>3</sup>  
**Horse power:** 1/2 hp

Approvals:   

## MECHANICAL DATA

**Bore:** 27.78 mm  
**Stroke:** 20 mm  
**Oil Charge:** 350ml +/-15ml  
**Free Internal Volume:** 2.1 cm<sup>3</sup>  
**Maximum Recommended Refrigerant Charge:** 150 g  
**Oil Type Configuration:** Polyolester  
**Oil Type Viscosity:** ISO22  
**Compressor pressurization:** Without dry air charge  
**Weight:** 11.4 kg

## ELECTRICAL DATA

**Motor Type:** CSIR  
**Starting Torque:** HST  
**Voltage working range at 50 Hz:** 198-254 V  
**Maximum Motor Temperature:** 130 °C  
**Start Winding Resistance:** 20.88 Ω (± 10%) at 25°C  
**Run Winding Resistance:** 3.93 Ω (± 10%) at 25°C

## MOUNTING ACCESSORIES

	Description	Code
<b>Anchorage:</b>	no	-
<b>Capacitor Bracket:</b>	no	-
<b>Rotolock valve:</b>	no	-
<b>Sleeves:</b>	no	-
<b>Cover:</b>	yes	2075282
<b>Grommets:</b>	yes	2221011
<b>Washer:</b>	yes	2211047
<b>Pin:</b>	yes	2037140
<b>Clip:</b>	yes	2220020
<b>Terminal Board:</b>	yes	1027060
<b>Overload Protector Bracket:</b>	yes	2075299

## ELECTRICAL COMPONENTS

	Component type	Description	Code
<b>Start Capacitor:</b>		53-64 MFD 330V	2252346
<b>Motor Protection:</b>	External 3/4"	T0743/G6	2319080
<b>Starting Device:</b>	Current relay	MTRP-0050-65	2334119

## EXTERNAL CHARACTERISTICS

**Base Plate:** European  
**Tray Holder:** Yes  
**Height:** 206 mm

	Internal Diameter (mm)	Material	Shape
<b>Suction Connector</b>	8.1	Copper	Slanted 42°
<b>Discharge Connector</b>	6.1	Copper	Straight
<b>Process Connector</b>	6.1	Copper	Slanted 42°



Model **NEK6213U**

Code **863CA58N1PM**

**embraco** POWER IN. CHANGE ON.

## RATED POINT DATA

Cooling Capacity (W)	Power Consumption (W)	Current Consumption (A)	Gas Flow Rate (kg/h)	Efficiency (W/W)
±5%	±5%	±5%	±5%	±7%
812	498	3.60	9.98	1.63

Test condition: EN 12900, Fan, Return Gas 20°C, Subcooling 0K, Evaporating: -10°C, Condensing: 45°C, Ambient: 35°C

## PERFORMANCE CURVE DATA

**220V 50Hz**

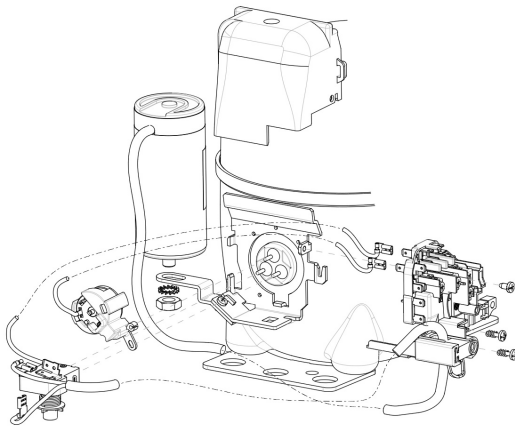
Condensing Temperature (°C)	Evaporating Temperature (°C)	Cooling Capacity (W)	Power Consumption (W)	Current Consumption (A)	Gas Flow Rate (kg/h)	Efficiency (W/W)
		±5%	±5%	±5%	±5%	±7%
<b>35°C</b>	10	1 948	552	3.82	22.60	3.53
	5	1 650	529	3.74	18.93	3.12
	0	1 382	505	3.66	15.71	2.74
	-5	1 146	480	3.57	12.91	2.39
	-10	940	454	3.49	10.52	2.07
	-15	765	426	3.40	8.51	1.80
	-20	621	397	3.31	6.86	1.57

Condensing Temperature (°C)	Evaporating Temperature (°C)	Cooling Capacity (W)	Power Consumption (W)	Current Consumption (A)	Gas Flow Rate (kg/h)	Efficiency (W/W)
		±5%	±5%	±5%	±5%	±7%
<b>45°C</b>	10	1 695	622	4.03	21.66	2.72
	5	1 434	594	3.93	18.10	2.41
	0	1 200	564	3.82	14.98	2.13
	-5	992	532	3.71	12.28	1.87
	-10	812	498	3.60	9.98	1.63
	-15	660	462	3.49	8.05	1.43
	-20	534	425	3.37	6.47	1.26

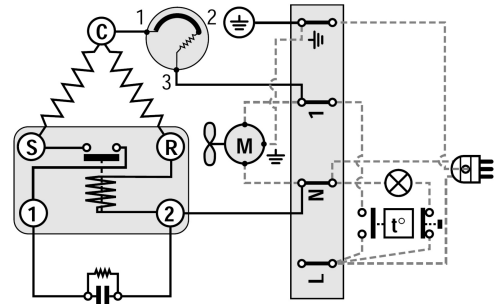
Condensing Temperature (°C)	Evaporating Temperature (°C)	Cooling Capacity (W)	Power Consumption (W)	Current Consumption (A)	Gas Flow Rate (kg/h)	Efficiency (W/W)
		±5%	±5%	±5%	±5%	±7%
<b>55°C</b>	10	1 430	703	4.33	20.47	2.03
	5	1 207	667	4.19	17.04	1.81
	0	1 007	629	4.05	14.05	1.60
	-5	831	588	3.90	11.47	1.41
	-10	678	546	3.74	9.28	1.24

Test condition: EN 12900, Fan, Return Gas 20°C, Subcooling 0K, Ambient: 35°C

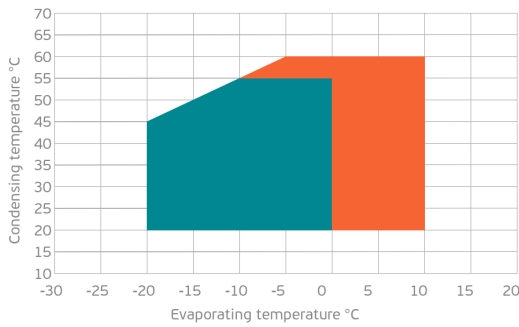
## ASSEMBLY INSTRUCTION



## WIRING DIAGRAM



## OPERATING ENVELOPE



- Operating Condition
- Transient Condition
- Superheating

**NOTE:** usage of compressors outside of intended working range cannot make use of the warranty, or should be consulted with Technical support.

