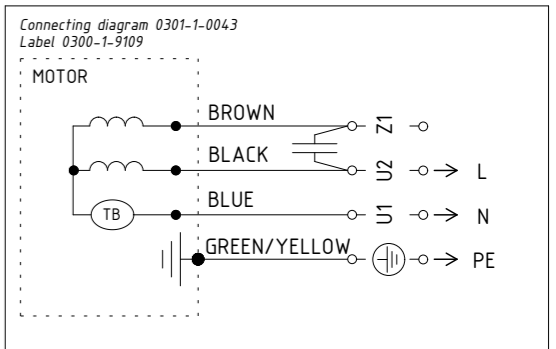
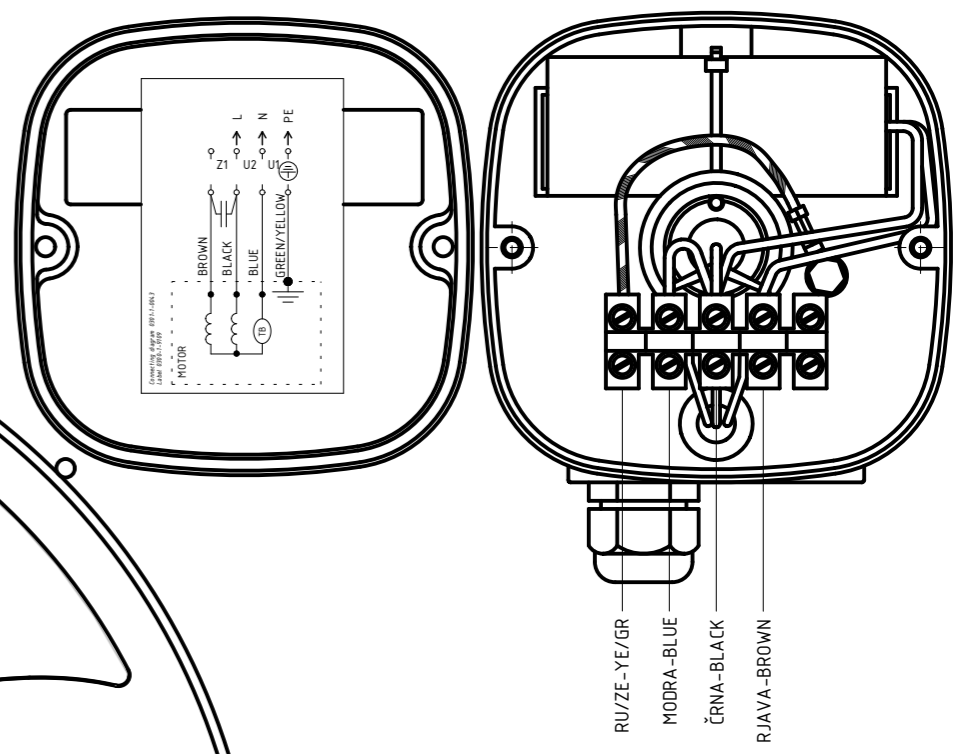


SUCKING
AIRFLOW DIRECTION
SMER ZRAKA



Vsak prenos trefjim osebam in uporaba v nedogovorjene namene ni dovoljen. This document must not be copied without our written permission and/or transferred to a third party for any unauthorized purpose.

Hidria	MADE IN SLOVENIA	CE	DATE
R09R-3330HA-4M-3542			0309-4-1001
1~230V 50/60Hz 130/170W 0,55/0,75A 1345/1500RPM			
MAX.AMB.55° C IP54 INS.CL.155 C=4µF/450V			
TH.PROT. ROT. ←			
ErP: Effes=25,9% (A,static) N=37,8			

Hidria		NETOLERIRANE MERE UNTOLERANCED DIM.	ISO 2768-m	MERIL/FORMAT 1:2 / A3	
Izdano		POVRŠINSKA OBD. SURFACE TEXTURE		MATERIAL	
		RISAL	DATUM 06-Nov-2007	PODPIS Uroš K.	NAZIV: TITILE: VENTILATOR R09R-3330HA-4M-3542
		PROJEKTIRAL	06-Nov-2007	Stane P.	
		POTRDL ROTOMATKA MOTORS			
		POTRDL SPE LIVARSTVO			
		POTRDL SPE LAJNELE			
		POTRDL ROTOMATKA FANS			
		POTRDL			
2	259/12	07-Nov-2012	Uroš K.		
1	406/07	06-Nov-2007	Uroš K.		
ST.	ST.SPR.	DATUM	PODPIS		
				KODA: CODE: 0309-4-1001 0309-4-1001	VERZIJA: REV: AB
				LIST: SHEET: 1	OD: OF: 1

Navodilo za kontrolo ventilatorja 0301-1-4464
Checking instruction 0301-1-4464