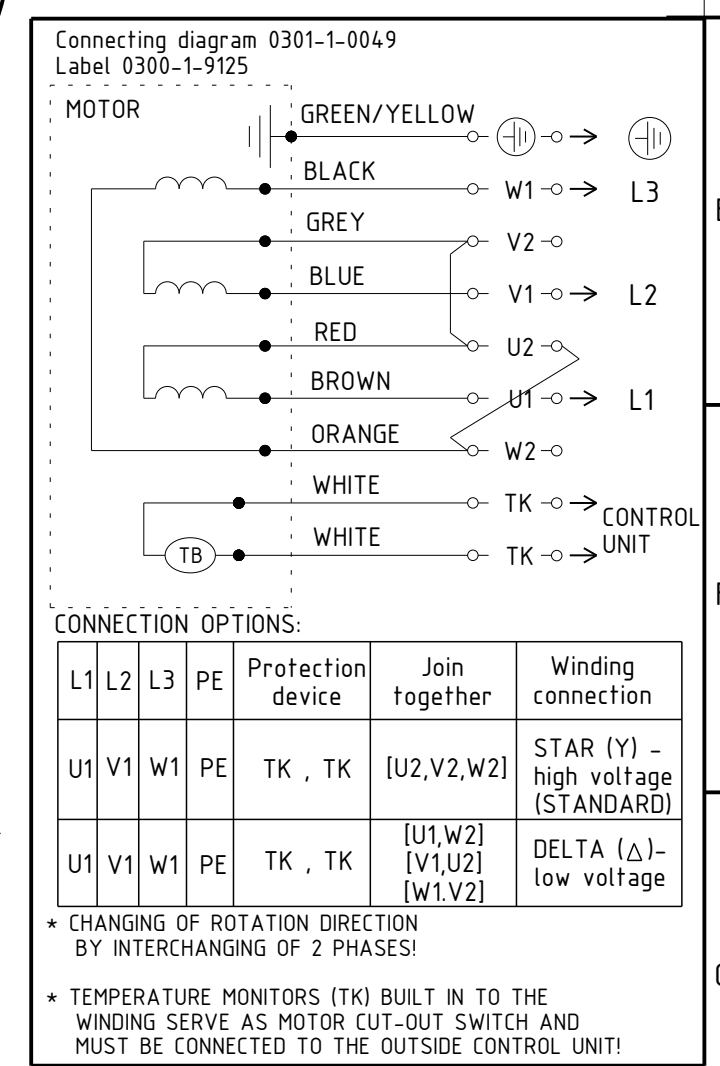
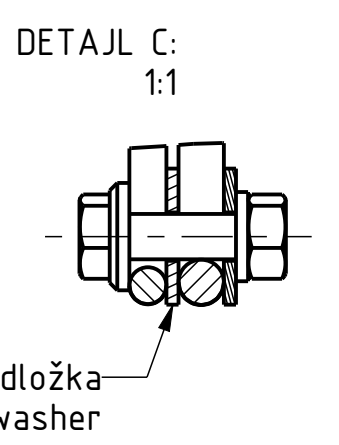
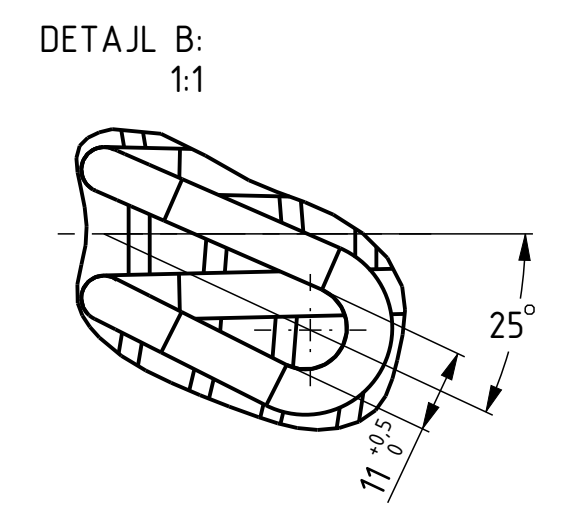
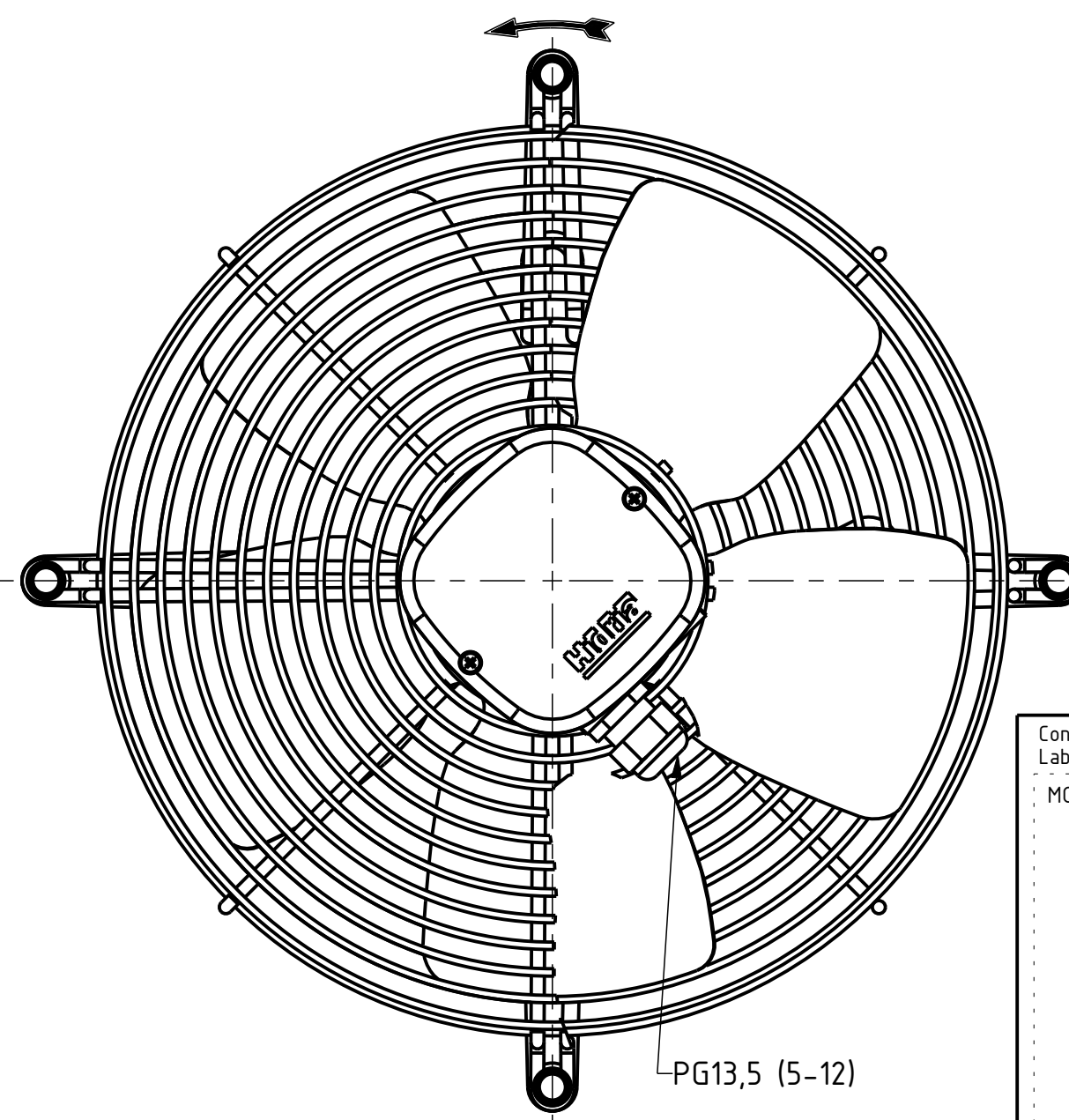
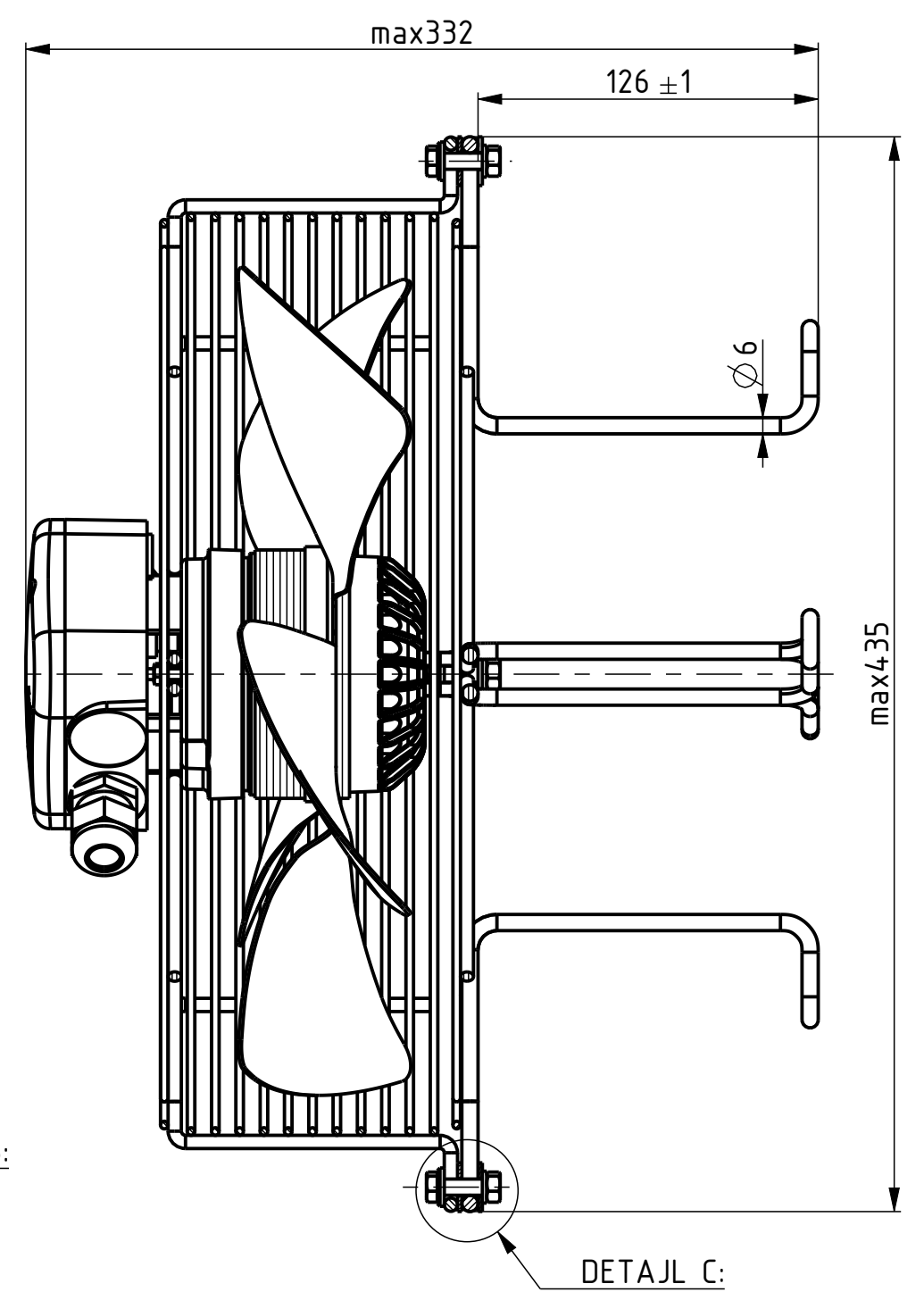
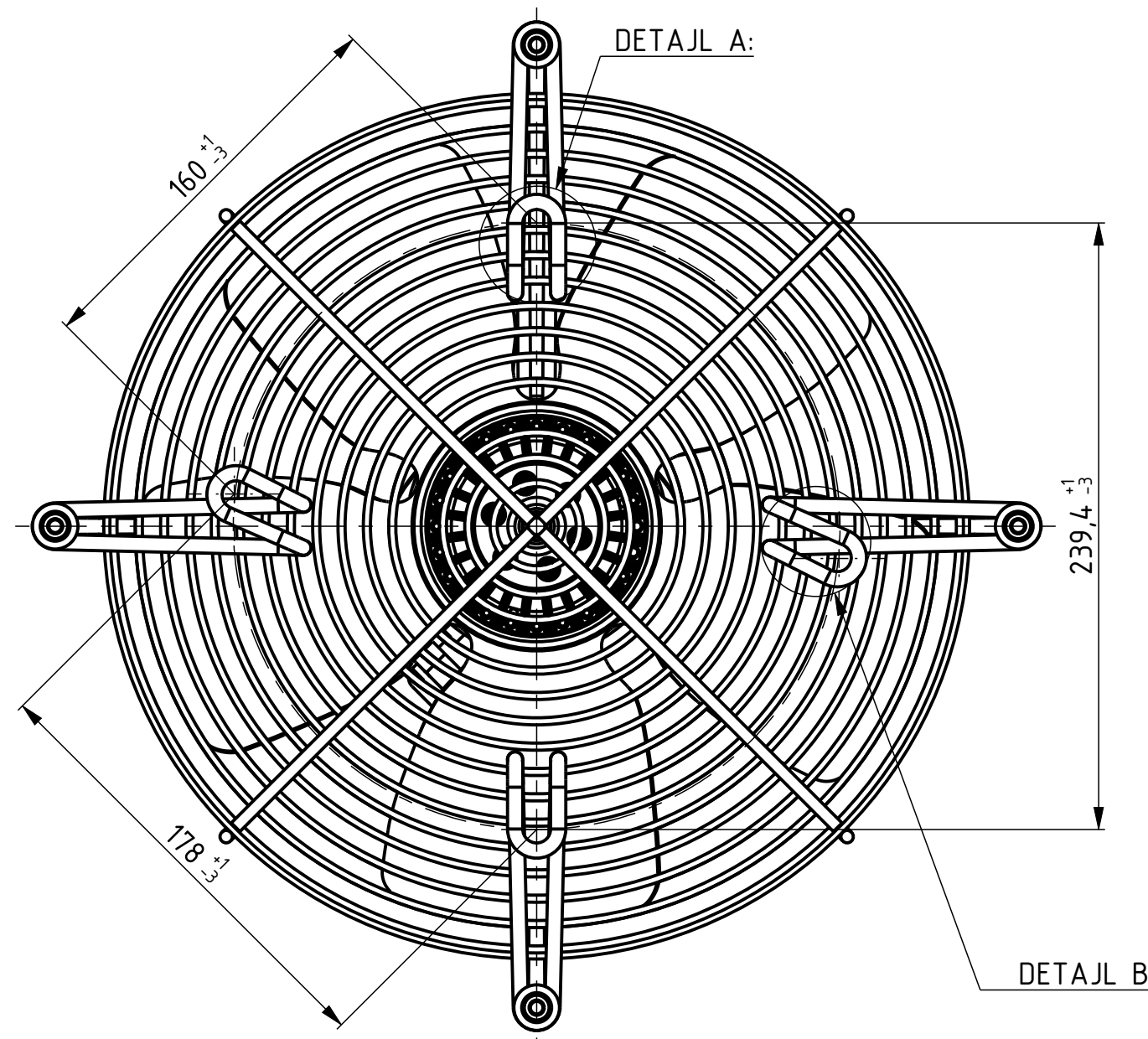
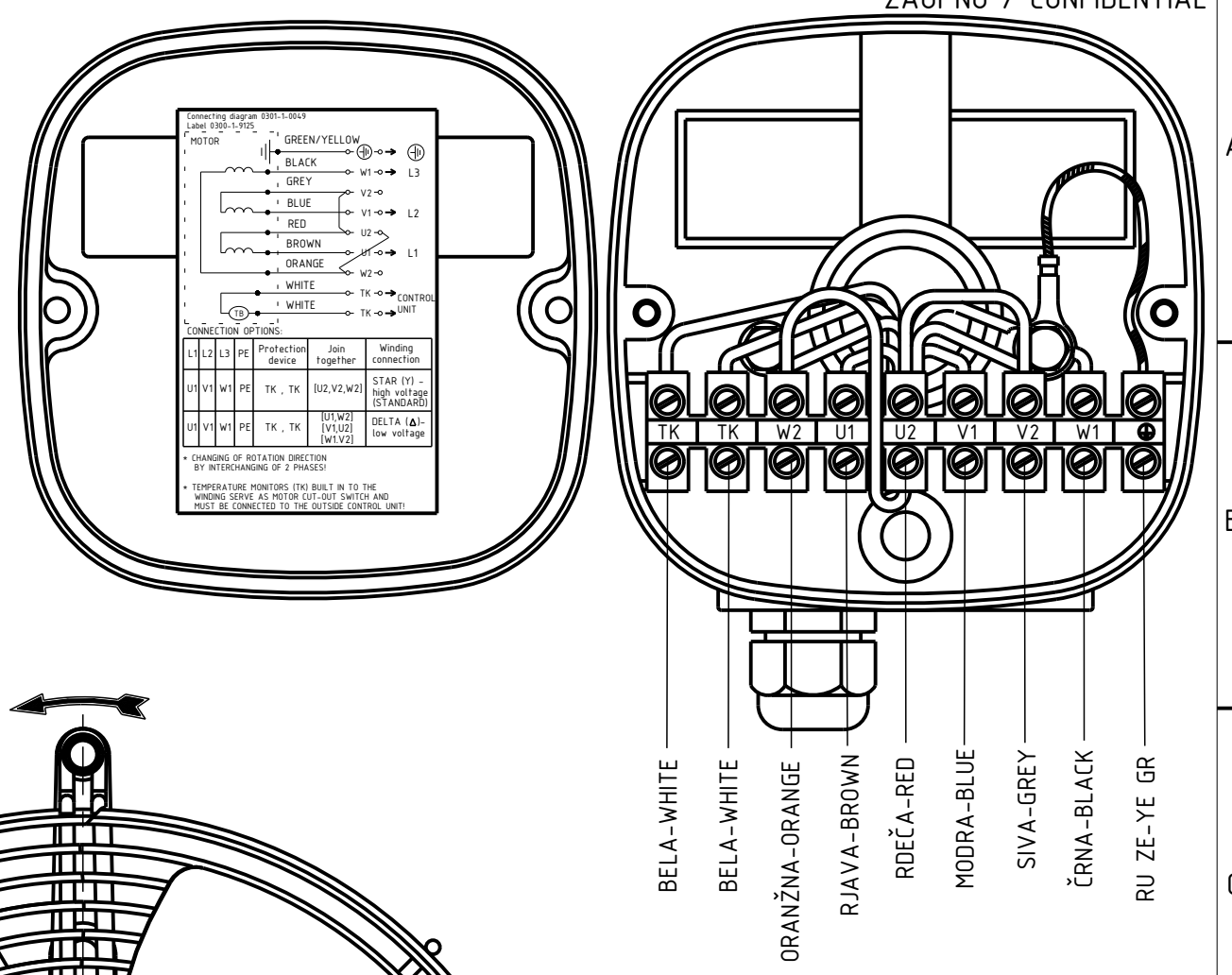


BLOWING
AIRFLOW DIRECTION
SMER ZRAKA



Standardna vezava je ZVEZDA Y
V primeru vezave TRIKOT Δ
glej nalepko v pokrovu
Standard connection scheme is STAR Y
If required DELTA Δ see the
connection diagram in the cover

HOMER MADE IN SLOVENIA **EAC CE** DATE

Ref. Nr. 343031-02
WEIGHT: 5,05kg

HOMER MADE IN SLOVENIA **EAC CE** DATE

R09R-3132P-4T-3561 0309-4-0478
3~Y400/D230V 50Hz 100W 0,24/0,42A 1380RPM MAX.AMB.70° C
3~Y400/D230V 60Hz 127W 0,24/0,42A 1560RPM MAX.AMB.70° C
IP54 INS.CL.155
THPROT. ROT.

AC	AC	Na nalepki je dodana oznaka: "EAC". On the sticker is added tag: "EAC". Risba v Windchillu je skladna z risbo v arhivu.	10.09.2018	Matjaž H.
AB	AB	Na risbo se doda opomba za lepljenje nalepke 0300-1-9457 na pakirno škatlo. Spremeni se verzija artikla z AA v AB. Risba v Windchillu je skladna z risbo v arhivu.	02.03.2016	Uroš K.

Verzija / Article revision: 05.09.2018
Datum / Date: 11.09.2018

Ime / Name: Matjaž Habe
Mha Kavčič

POVRŠINSKA OBD. / SURFACE TEXTURE: MATERIAL

NAZIV / TITLE: VENTILATOR R09R-3132P-4T-3561

Potrjeno / Approved

NETOL. MERE / UNTOL. DIM: ISO 2768-m
MATERIAL CODE: 0309-4-0478
MASA / MASS: 5,05kg
DZJ: 2,5/A2

VERZIJNA ARTIKLA / REVISION ARTICLE: AC
VERZIJNA RISBE / DRW REVISION: AC

Navodilo za kontrolo ventilatorja 0301-1-4900.
Fan checking instructions 0301-1-4900.
Na vsako škatlo prilepiti nalepko 0300-1-9457.
On each box stick label 0300-1-3457.

All drawings, regardless of form, are owned by Hidria d.o.o. and are strictly confidential and present copyrights. Intellectual Property Rights as follows under the laws of patents, petty patents, design patents and registered designs, copyrights, trade secret rights, and similar exclusive rights in industrial property connected with the drawings are reserved by Hidria Rotomatika d.o.o. Disclosure to any third party is strictly forbidden.