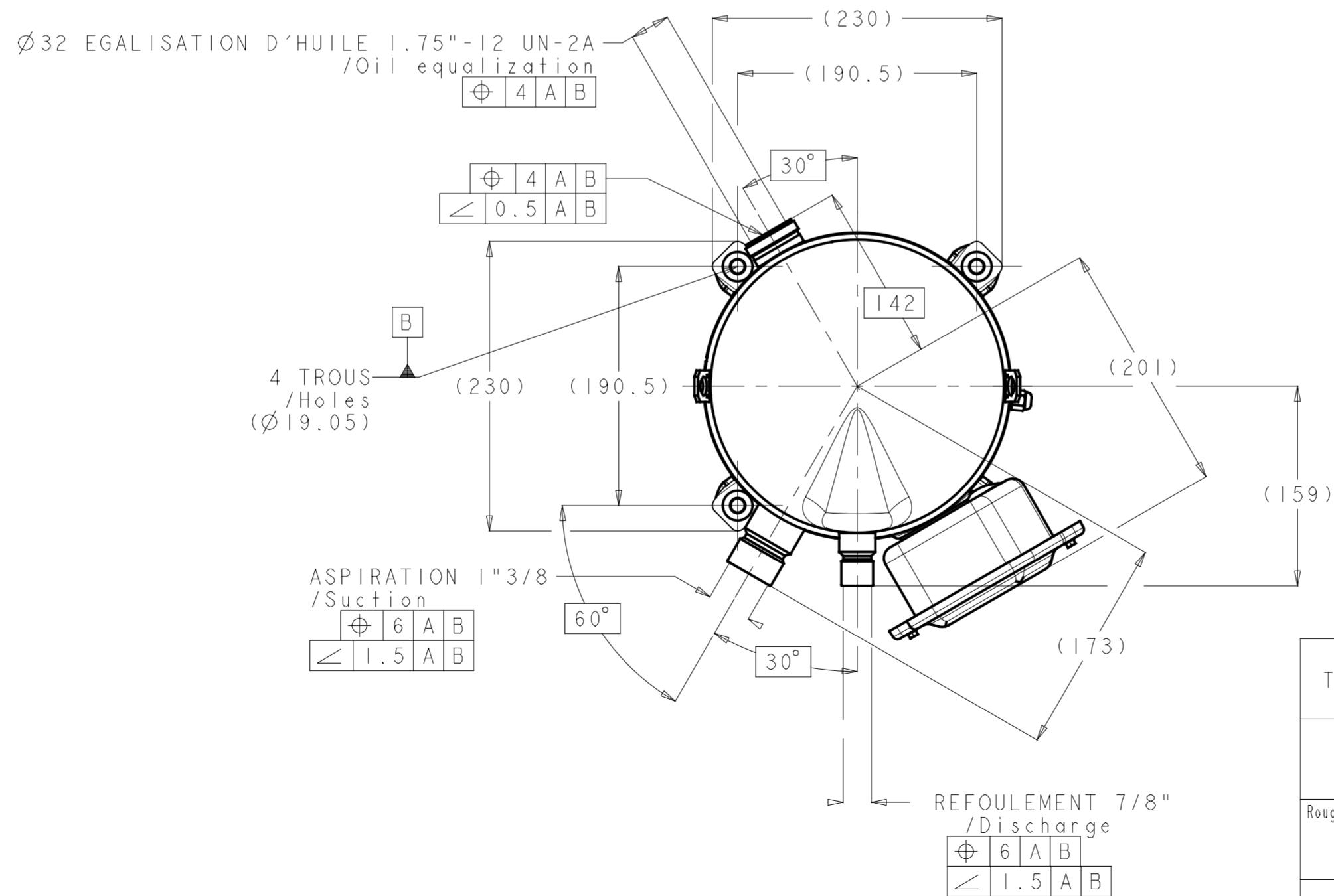
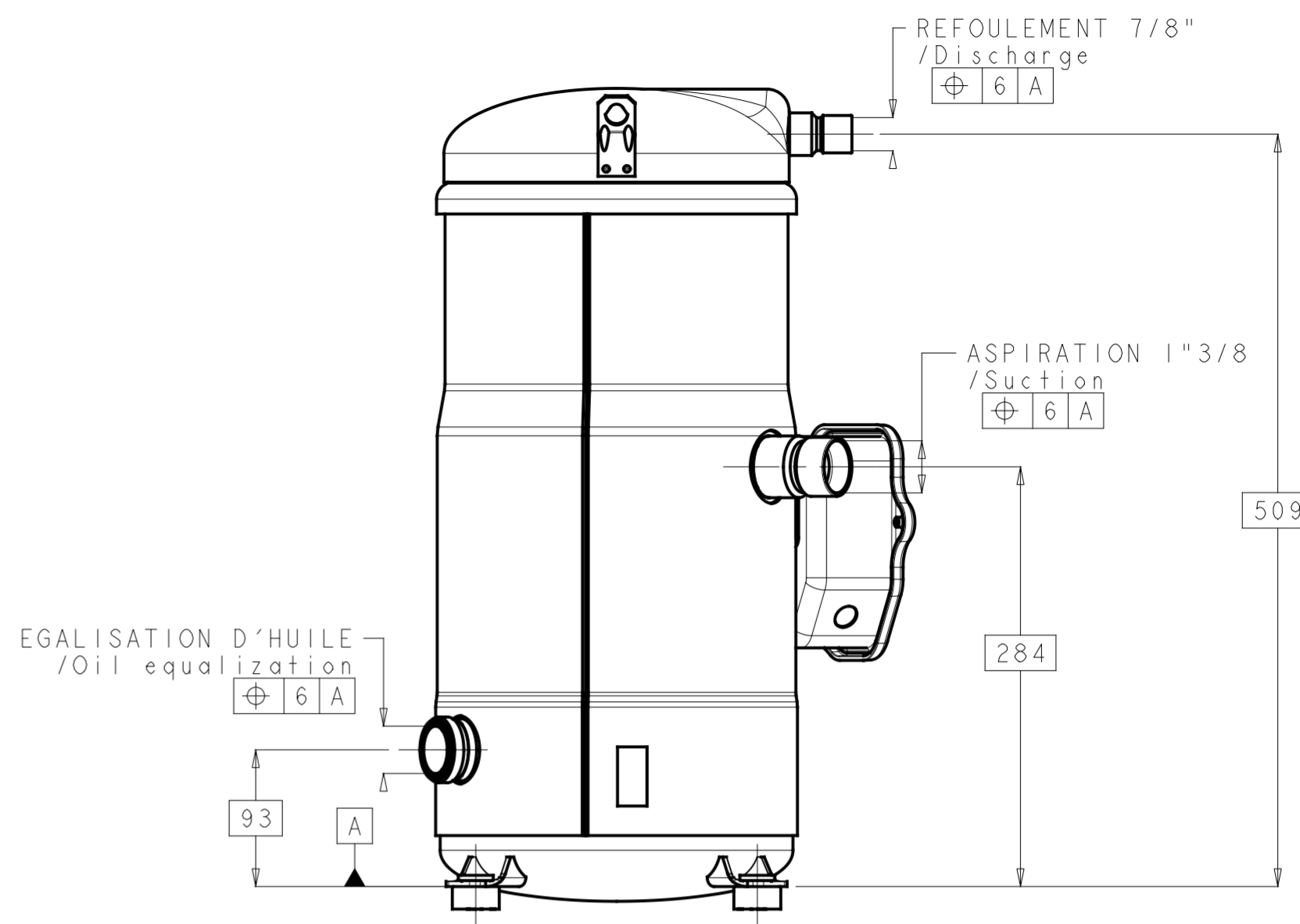


SANS COMPRESSION/: (15.25)  
 Without compression  
 AVEC COMPRESSION/: ( )  
 With compression



REFERENCE PIECE / Part number  
 8560023P01A

General Tolerances Table	Drawing Status :			Production print			Key characteristic Critical characteristic According to Danfoss standard 50220024		
	±3 ANG°=±1°			Surface Area (m2)	Estimated Mass (Kg)	Projection		Scale	Size
Roughness (µm)	D	ECR 2012-3829	16/03/12			1/4	A2	Designation	Outline DSH/WSH,SH184,T-block
	Revision	ECR Number	Date				Sheet 1 of 1		
	Designer	Ma Hongtao					E.2 Dwg N°	8560023	
	Approval	Zhao Yanbo							
ISO 8015 ISO 1101				Confidential: Property of Danfoss Commercial Compressors. Not to be handed over to copied or used by third party. Two or three dimensional reproduction of contents to be authorized by Danfoss CC.				E	