

S4D450-AP01-05

AC axial fan

sickled blades (S series)

with guard grille for short nozzle



ebm-papst Mulfingen GmbH & Co. KG

Bachmühle 2

D-74673 Mulfingen

Phone: +49(0)7938/81-0

Fax: +49(0)7938/81-110

info1@de.ebmpapst.com

www.ebmpapst.com

Nominal data

Type	S4D450-AP01-05				
Motor	M4D074-GA				
Phase		3~	3~	3~	3~
Nominal voltage	V	230	230	400	400
Connection		D	D	Y	Y
Frequency	Hz	50	60	50	60
Type of data definition		rfa	rfa	rfa	rfa
Valid for approval / standard		CE	CE	CE	CE
Speed	min ⁻¹	1380	1540	1380	1540
Power input	W	200	285	200	285
Current draw	A	0.83	0.92	0.48	0.53
Max. back pressure	Pa	120	70	120	70
Max. ambient temperature	°C	50	50	50	50

ml = max. load · me = max. efficiency · rfa = running at free air · cs = customer specs · cu = customer unit
Subject to alterations

S4D450-AP01-05

AC axial fan

sickled blades (S series)

with guard grille for short nozzle

Technical features

Leakage current	<= 3.5 mA
Size	450 mm
Operation mode	S1
Direction of rotation	Counter-clockwise, seen on rotor
Mounting position	Shaft horizontal or rotor on bottom; rotor on top on request
Electrical leads	Via terminal box
Humidity class	F1-2
Direction of air flow	"V"
Insulation class	"F"
Cable exit	Variable
Condensate discharge holes	Rotor-side
Motor bearing	Ball bearing
Mass	7.2 kg
Material of terminal box	ABS plastic, black
Material of blades	Sheet steel, coated in black
Material of guard grille	Steel, phosphated and coated in black plastic
Product conforming to standard	EN 60335-1, motor does not have factory-installed overheating protection
Surface of rotor	Coated in black
Number of blades	5
Type of protection	IP 44; Depending on installation and position as per EN 60034-5
Protection class	I
Max. permissible ambient motor temp. (transp./ storage)	+ 80 °C
Min. permissible ambient motor temp. (transp./storage)	- 40 °C

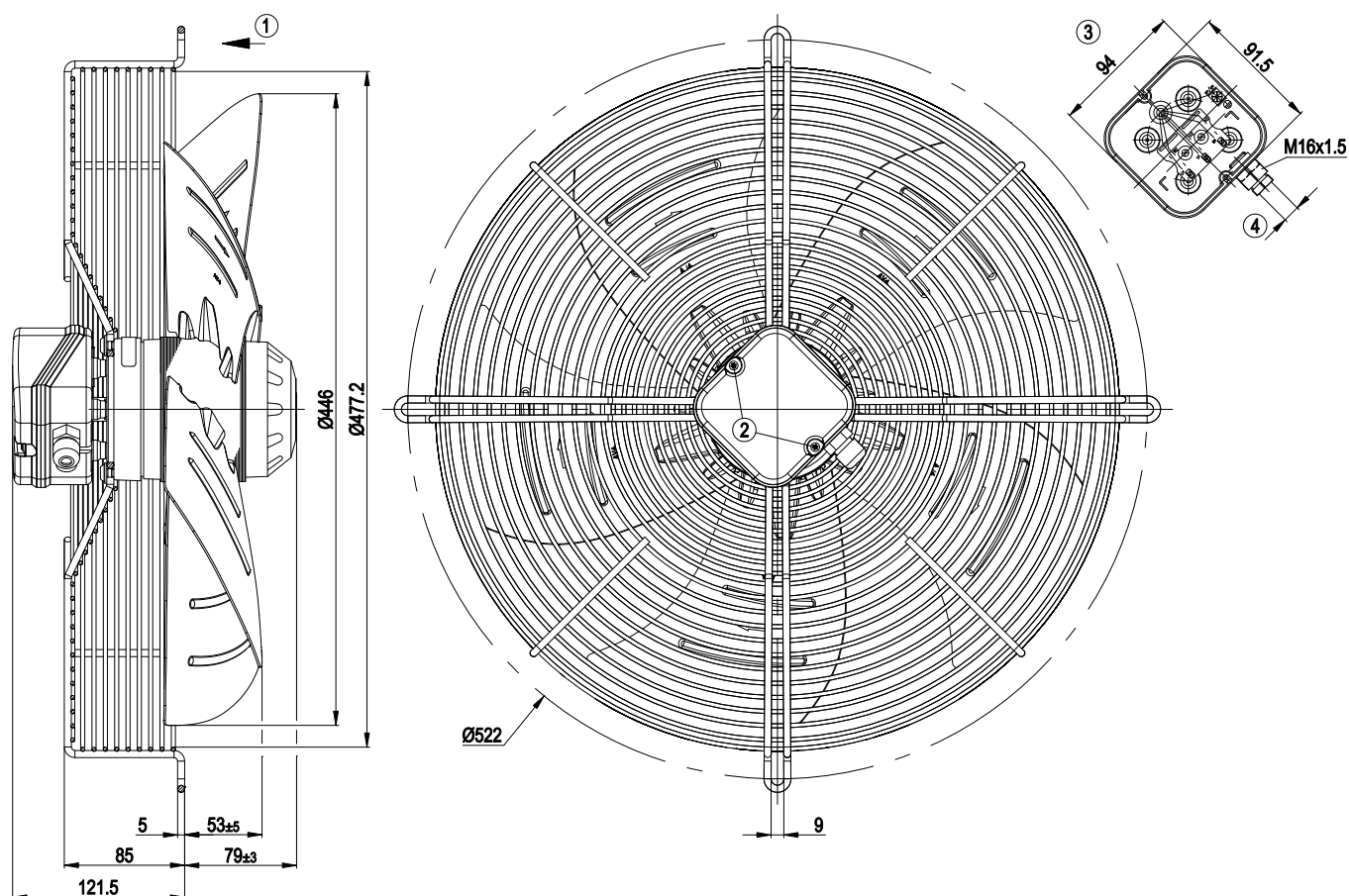
S4D450-AP01-05

AC axial fan

sickled blades (S series)

with guard grille for short nozzle

Product drawing



1	Direction of air flow "V"
2	Tightening torque 0.5 Nm
3	Illustration without terminal box cover
4	Cable diameter max. 7.5 mm, tightening torque 2 Nm

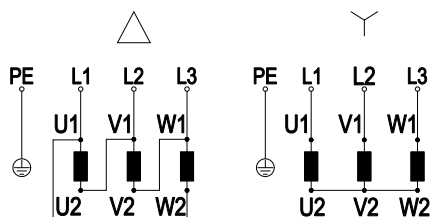
S4D450-AP01-05

AC axial fan

sickled blades (S series)

with guard grille for short nozzle

Connection screen



Note: Direction of rotation changes when two phases are reversed

Δ	Delta connection	Y	Star connection	L1	black
L2	blue	L3	brown	U1	black
V1	blue	W1	brown	U2	green
V2	white	W2	yellow	PE	green/yellow

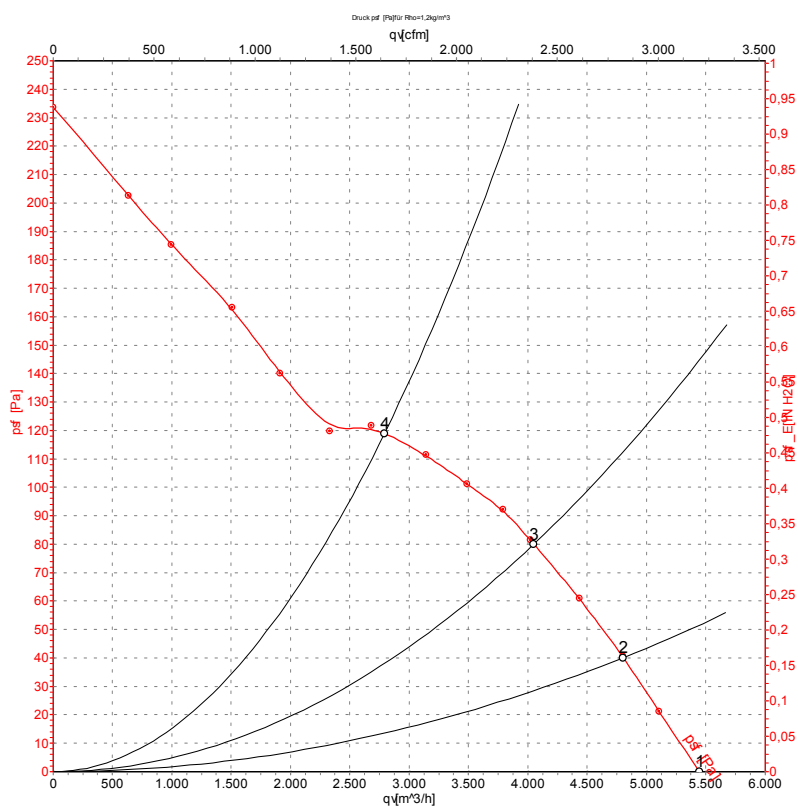
S4D450-AP01-05

AC axial fan

sickled blades (S series)

with guard grille for short nozzle

Charts: Air flow 50 Hz



Measurement: LU-27634

Air performance measured as per ISO 5801 Installation Category A. For detailed information on the measuring set-up, please contact ebm-papst. Suction-side noise levels: LwA measured as per ISO 13347 / LpA measured with 1m distance to fan axis. The values given are valid under the measuring conditions mentioned above and may vary according to the actual installation situation. With any deviation from the standard set-up, the specific values have to be checked and reviewed with the unit installed.

Measured values

	U	f	n	P ₁	I	qv	p _{sf}
	V	Hz	min ⁻¹	W	A	m ³ /h	Pa
1	400	50	1380	200	0.48	5445	0
2	400	50	1345	235	0.53	4800	40
3	400	50	1320	264	0.57	4050	80
4	400	50	1285	301	0.61	2790	120

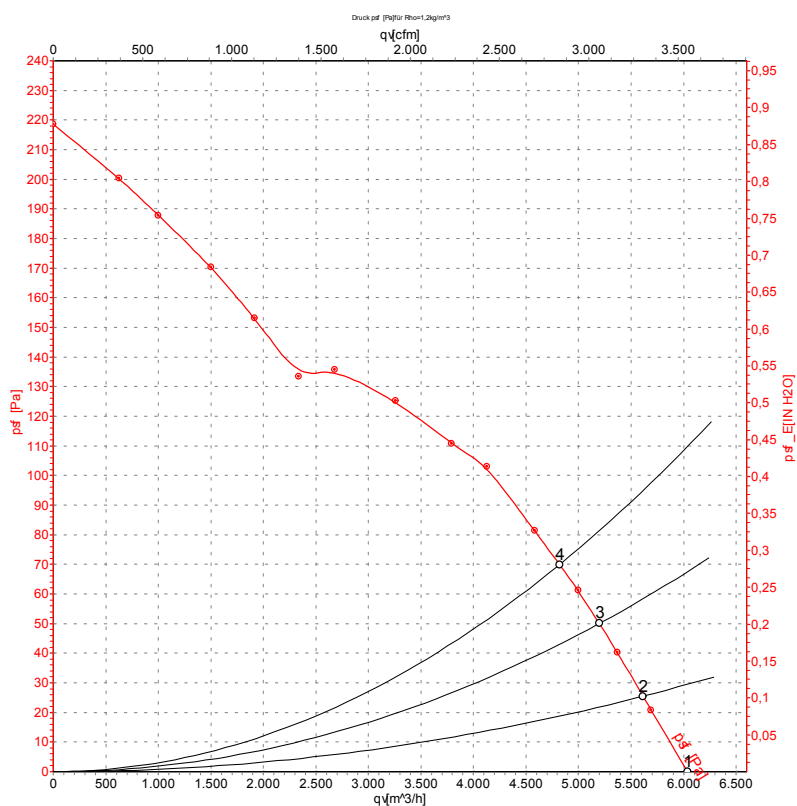
S4D450-AP01-05

AC axial fan

sickled blades (S series)

with guard grille for short nozzle

Charts: Air flow 60 Hz



Measurement: LU-27635

Air performance measured as per ISO 5801 Installation Category A. For detailed information on the measuring set-up, please contact ebm-papst. Suction-side noise levels: LwA measured as per ISO 13347 / LpA measured with 1m distance to fan axis. The values given are valid under the measuring conditions mentioned above and may vary according to the actual installation situation. With any deviation from the standard set-up, the specific values have to be checked and reviewed with the unit installed.

Measured values

	U	f	n	P ₁	I	qv	p _{sf}
	V	Hz	min ⁻¹	W	A	m ³ /h	Pa
1	400	60	1540	285	0.53	6040	0
2	400	60	1505	314	0.58	5615	25
3	400	60	1475	337	0.62	5200	50
4	400	60	1450	355	0.64	4820	70